



Unit 1/13 Bessemer Street | Blacktown NSW 2148 | Tel.: 1300 556 710

Part 1:3 Safety Instructions, High Pressure Washers, Classic, Classic PG, Super and Super PG

Safety Instructions Original Safety Instructions



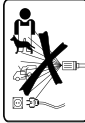
Before first use of the machine, read the instructions carefully. Save instructions for later use.



Safety instructions marked with this symbol must be observed to prevent personal injury or serious damage to property.

• The instruction consists of 4 parts. Part 1:3 Safety Instructions. Part 2:3 Serial specific User Guide. Part 3:3 Troubleshooting, Serial specific Technical Data and Disposal. Part 1:4 Warranty Conditions.

Warnings ⚠ This machine has been designed for use with cleaning agents supplied or recommended by Gerni. The use of other cleaning agents or chemicals may adversely affect the safety of the machine. ⚠ High pressure jets can be dangerous if subject to misuse. The jet must not be directed at persons, live electrical equipment or the machine itself. ⚠ Do not use the machine



within range of persons unless they wear protective clothes. ⚠ Do not direct the jet against yourself or others in order to clean footwear. ⚠ Risk of explosion – Do not spray flammable liquids. ⚠ High pressure washers shall not be used by children or untrained personnel. ⚠ High pressure hoses, fittings and couplings are important for the safety of the machine. Use only hoses, fittings and couplings recommended by Gerni. ⚠ To ensure machine safety, use only original spare parts recommended by Gerni. ⚠ Water that has flown through back-flow preventers is considered to be non-potable. ⚠ Don't use the machine if a supply cord or important parts of the machine are damaged, e.g. safety devices, high pressure hoses, trigger gun. ⚠ Inadequate extension cords can be dangerous. If an extension cord is used, it shall be suitable for outdoor use, and the connection has to be kept dry and off the ground. It is recommended that this is accomplished by a cord reel which keeps the socket at least 60 mm above the ground. ⚠ Switch off and unplug the machine when leaving it unattended, when finished using it or when converting it to another function, when doing repair and maintenance. ⚠ During use of high pressure washers, aerosols may be formed. Inhalation of aerosols can be hazardous to health, for the protection against aerosols a respiratory mask of class FFP 2 or equivalent may be needed, depending on the clean-

ing environment.

Intended Use and Terms of Liability The Classic, Classic PG, Super and Super PG series have been developed for domestic cleaning purposes only and for use in an upright position. Any other use is considered as improper use. • A high pressure washer operates with different levels of pressure and cleaning detergents for various cleaning tasks and results. Always follow instructions on detergents for use, emergency and disposal. • Do not operate the machine at temperatures below 0°C. Never start a frozen machine, never use it indoor and never cover it during use. This is considered improper and wrongful use. Use of wrongful pressure, detergent and/or applications may cause damage to machine, surfaces, material and devices. All of the above is considered improper and wrongful use. Gerni accepts no liability for any damage resulting from any improper or wrongful use.

Safety devices and their functioning The machine automatically stops when releasing the trigger. The machine will start again when reactivating the trigger. The spray handle features a locking device. When activated, the spray handle cannot be operated. The machine has an automatic self-resetting thermo protector. If the machine is overheated, the thermo protector will cut the power supply. In this case, wait for the machine to cool down. An integrated hydraulic safety valve protects the system from excessive pressure.

Precautions The electric supply connection shall be made by a qualified electrician and comply with IEC 60364-1. It is recommended that the electric supply to this machine should include either a residual current device that will interrupt the supply if the leakage current to earth exceeds 30 mA for 30 ms or a device that will prove earth circuit. • Use motor start/delayed fuses with characteristic D according to IEC 947-2 or corresponding standards outside IEC. • If the supply cord is damaged, it must be replaced by an authorized Gerni distributor or similar qualified person in order to avoid a hazard. • No actions needed for adjusting machines marked with dual voltage and frequency. • Supervise children not to play with the machine. • The operator and any one in the immediate vicinity of the site for cleaning should take action to protect oneself from being struck by debris dislodged during operation. • Always wear safety boots, respiratory mask, ear protection,


goggles and protective clothing during operation. • The high pressure generated by the machine is a particular source of danger. Hold the spray lance firmly with both hands. The spray lance is affected by a kickback force and a sudden torque during operation. • See Part 3:3 for the actual size of the kickback force. • During transportation: Position the machine horizontally on the backside and secure with straps.

Within EU High pressure washers shall not be used nor maintained by children. The machine can be used by people with reduced physical, sensory or mental capabilities or lack of experience and knowledge if given supervision or instructions concerning use of the machine in a safe way and understands the hazards involved.

Outside EU High pressure washers shall not be used nor maintained by children or untrained people or people with reduced physical, sensory or mental capabilities or lack of experience and knowledge.

Part 2:3 provides a general overview of the machine and operation elements along with illustrated sections on preparation, operation, water connection, storage, and user maintenance.

A Unpacking and preparing for use Follow illustrations in A.

B Connection to potable water mains  High pressure washers are not suitable for connection to the potable water mains. Always check national regulations before connecting the machine to potable water mains and use a back-flow preventer if required. • Use ½" garden hose, 10-25 m. • Follow illustrations in B.


C Connection to other water sources You can connect the machine to e.g. rain water vessels, rivers, lakes and cisterns etc. and operate it in suction mode. Follow illustrations in C.

D Pairing of spray handle and machine Classic PG and Super PG series only. After battery insert, D1.1, you have 2 min. to pair spray handle and machine. The light will flash orange when searching for the machine. When paired, the light will turn off. Follow illustrations D1.1 to D1.5. If pairing aborts, do pairing according to illustrations D2.1 to D2.5. Power regulation is indicated by green light, see illustration D3.1 and D3.2.

E Leaving the machine unattended > 5 min.  See listed warnings. Follow the illustrations in E.

F After use and storage After use always: Turn off the machine. Empty machine and accessories of water to avoid frost damage. Remove the plug from socket. Disconnect water

inlet hose. Wind up electrical cable and high pressure hose to avoid damage of cable, high pressure hose and fittings. Storage of machine shall be frost free. • Follow illustrations in F.

G Maintenance, inspection and repair Maintenance of the machine should always be done when starting up after long time of storage.  Before use, always inspect the machine and equipment for damages. In case of damages, act according to listed warnings. • Do not attempt any maintenance not described in the instructions. If the machine refuses to start, stops, pulsates, pressure fluctuates, motor buzzes, fuse blows or no water comes out, check the trouble shooting diagram in Part 3:3 Troubleshooting, Serial specific Technical Data and Disposal. Any repair should always be made in Gerni authorized workshop with original Gerni spare parts. • User maintenance according to illustrations in G.

Warranty Conditions

Our goods come with guarantees that cannot be excluded under the Australian Consumer Law. You are entitled to a replacement or refund for a major failure and for compensation for any other reasonably foreseeable loss or damage. You are also entitled to have the goods repaired or replaced if the goods fail to be of acceptable quality and the failure does not amount to a major failure. Gerni high pressure washers for domestic use are warranted for 2 years from the date of purchase by:

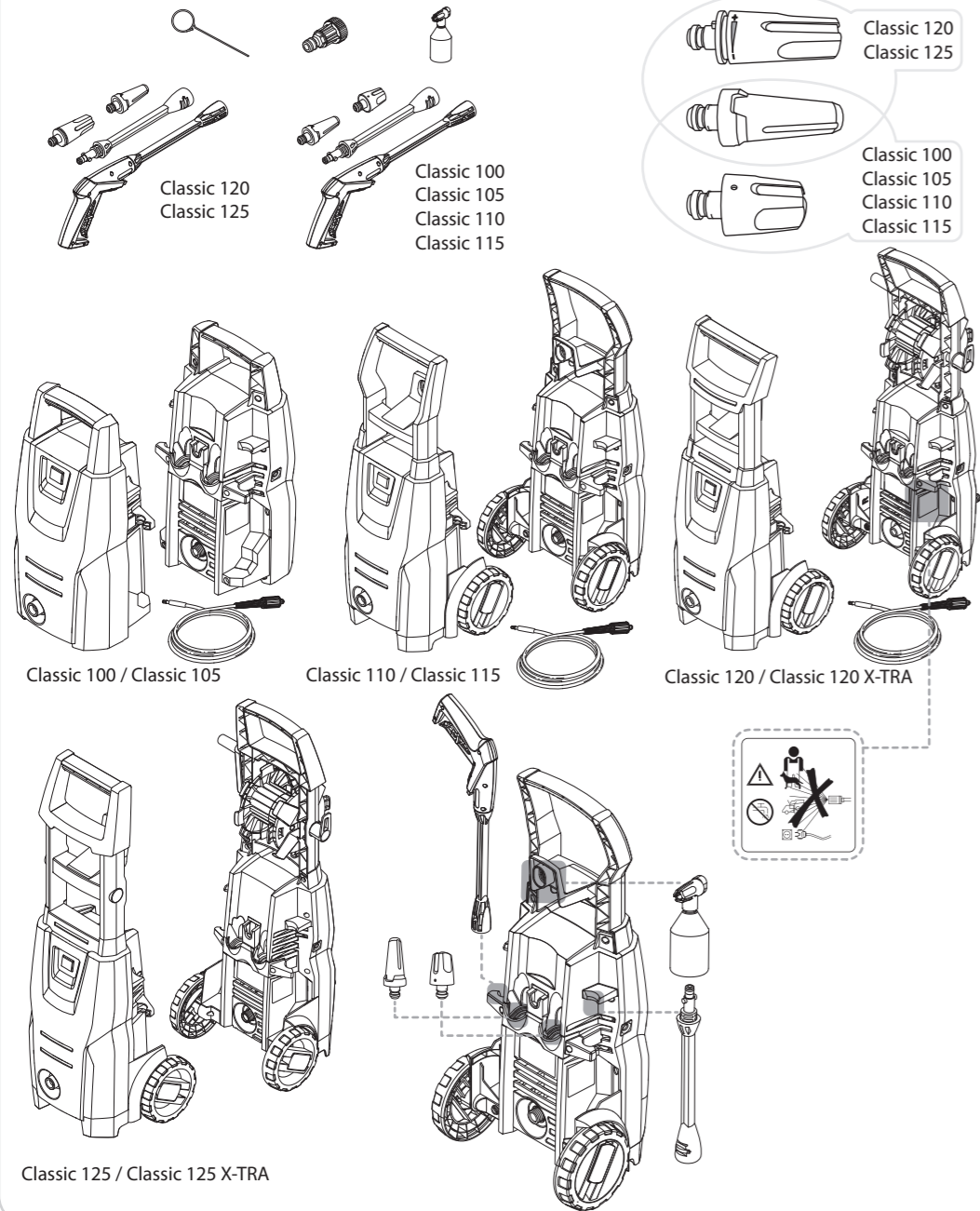
AUSTRALIA: Nilfisk Pty LTd, Unit 1/13 Bessemer Street, Blacktown NSW 2148, Phone: 1300 556 710, E-mail: Warranty.au@nilfisk.com

NEW ZEALAND: Accent Tools Ltd, 232 Bush Rd, Albany, Auckland 0632, Phone: 09 968 2610, E-mail: sales@accent-tools.co.nz

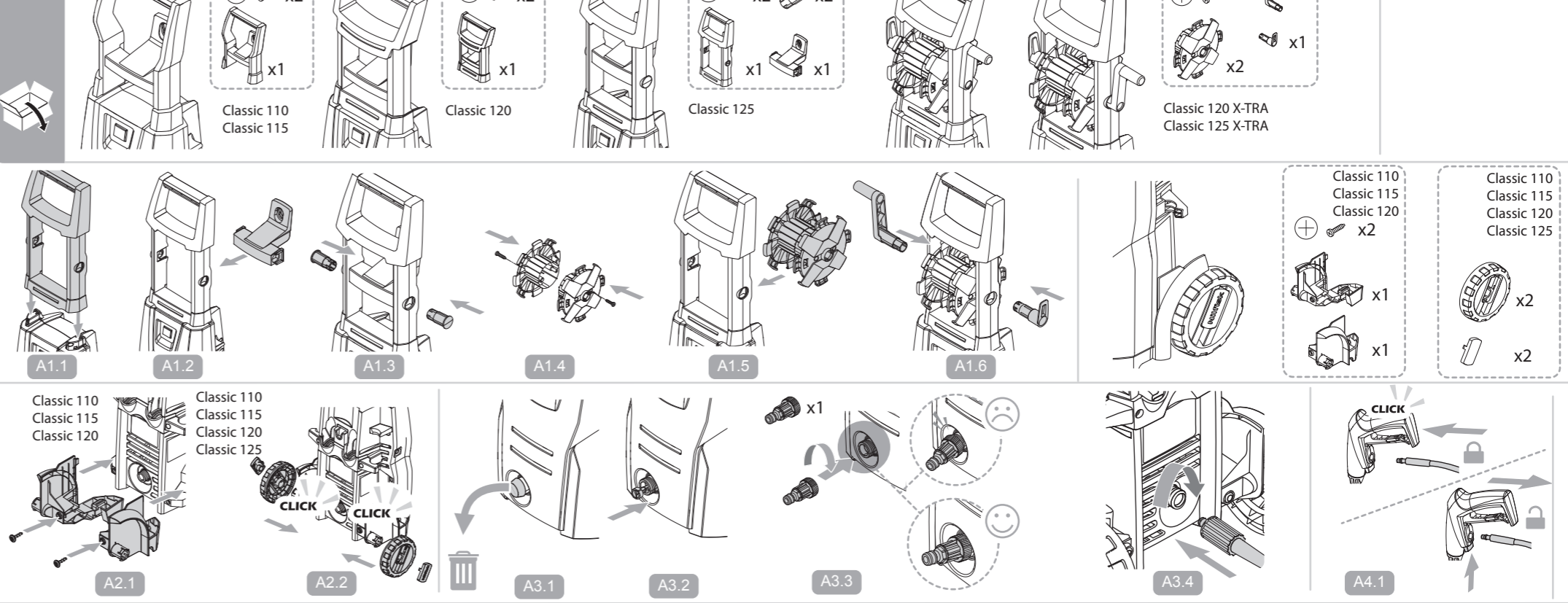
Equipment defects covered by this warranty will be repaired or replaced by one of the service centres of the Gerni organisation. Find your local service agent here: <http://www.gerni.com.au/>. If your high pressure washer or accessories are handed in for repair, it must be followed by a description/specification of the fault, and the original purchase receipt, or a copy, must be enclosed. Packing and postage/carriage is not covered by the warranty. This warranty is provided in addition to the other rights and remedies of the purchaser under the laws in relation to the goods to which the warranty relates. Guarantee repairs are made on the following conditions:

- that defects are attributable to flaws or defects in materials or workmanship (wear and tear as well as misuse are not covered by the guarantee).
- that the directions of the instruction manual have been thoroughly observed.
- that repair has not been carried out or attempted by other than Gerni-trained service staff.
- that only original Gerni accessories have been applied.
- that the product has not been exposed to abuse such as knocks, bumps or frost.
- that only water without any impurities has been used.
- that the high pressure washer has not been used for rental nor used commercially in any other way.

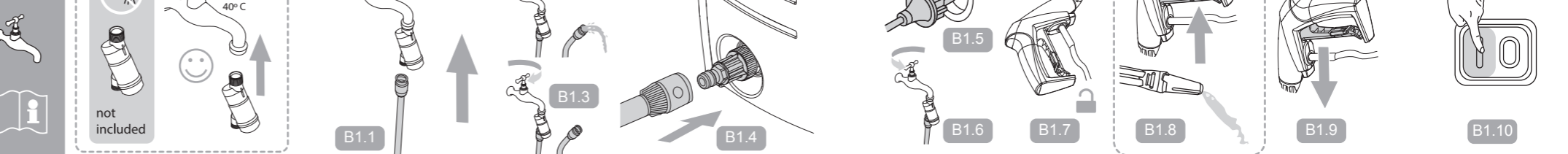
Repairs not covered by the guarantee conditions will be invoiced. (i.e. malfunctions due to Causes mentioned in section Troubleshooting of Part 3:3.



A



B



Recycling the high pressure washer

Make the old machine unusable immediately.

- Unplug the machine.
- Cut the electric cable.

Do not discard electrical appliances with household waste. As specified in WEEE Directive 2012/19/EC on old electrical and electronic appliances, used electrical goods must be collected separately and recycled ecologically. Contact your local authorities or your nearest dealer for further information.



Gerni



Caution:
Read the instructions
before using the machine

128334141 a (04.2016)

Unit 1/13 Bessemer Street | Blacktown NSW 2148 | Tel.: 1300 556 710

Part 3:3 Troubleshooting, Technical Data and Disposal, High Pressure Washers Classic 100, 105, 110, 115, 120 and 125 series

Troubleshooting

To avoid unnecessary disappointments, you should check the following before contacting the Gerni service organization.

Symptom	Cause	Recommended action
Machine refuses to start	Machine not plugged in Defective socket Fuse has blown Defective extension cable	Plug in machine Try another socket. Replace fuse. Switch off other machines. Try without the extension cable.
Fluctuating pressure	Pump sucking air Valves dirty, worn out or stuck Pump seals worn out	Check that hoses and connections are airtight. Contact your local Gerni Service centre. Clean and replace or refer to local Gerni distributor.
Machine stops	Fuse has blown Incorrect mains voltage Thermal sensor activated Nozzle partially blocked	Replace fuse. Switch off other machines. Check that the mains voltage corresponds to specification on the model tag. Leave the washer for 5 minutes to cool down. Clean the nozzle (see Part 2.3, G)
Fuse blows	Fuse too small	Change to an installation higher than the amp. consumption of the machine. You may try without the extension cable.
Machine pulsating	Air in inlet hose/pump Inadequate supply of mains water Nozzle partially blocked Water filter blocked Hose kinked	Allow machine to run with open trigger until regular working pressure resumes. Check that the water supply corresponds to specifications required (see model tag) NB! Avoid using long, thin hoses (min. 1/2") Clean the nozzle (see Part 2.3, G) Clean the filter (see Part 2.3, G) Straighten out hose.
Machine often starts and stops by itself	Pump/spray handle is leaking	Contact your nearest Gerni Service Centre.
Machine starts, but no water comes out	Pump/hoses or accessory frozen No water supply Water filter blocked Nozzle blocked	Wait for pump/hoses or accessory to thaw. Connect inlet water. Clean the filter (see Part 2.3, G) Clean the nozzle (see Part 2.3, G)

In case problems other than the above occur, please phone 1300 733 171 or check our website www.gerni.com.au for your nearest service agent.

Technical Data

Electrical Specifications
Protection Class
Protection degree
Hydraulic specifications
Max. water inlet pressure
Max water inlet temperature
Max water inlet temp. suction mode
Kickback force
Weight
ISO 5349-1 Hand-arm vibration according to: Standard nozzle
ISO 3744 Sound pressure level LpA
2000/14/EC Guaranteed sound power level LWA

	<div style="display: flex; justify-content: space-around; font-size: 0.8em;"> Classic 100.5 Classic 105.5 Classic 110.5 Classic 115.5 Classic 120.5 Classic 120.5 X-TRA Classic 125.5 Classic 125.5 X-TRA / Classic 125.5 Titan </div>					
U_{nom}	220-240 V					
f_{nom}	50/60 Hz					
P	1.3 kW	1.4 kW			1.5 kW	
I_{nom}	6 A				6.5 A	
Class I Class II	Class II					
IP XX	IP X5					
p_{nom}	7 MPa / 70 bar	7.5 MPa / 75 bar	8 MPa / 80 bar	8.5 MPa / 85 bar	8.5 MPa / 85 bar	9.5 MPa / 95 bar
p_{max}	10 MPa / 100 bar	10.5 MPa / 105 bar	11 MPa / 110 bar	11.5 MPa / 115 bar	12 MPa / 120 bar	12.5 MPa / 125 bar
Q	5.3 l/min / 320 l/h	5.2 l/min / 310 l/h			5.4 l/min / 320 l/h	
Q_{max}	7.3 l/min / 440 l/h				7.7 l/min / 460 l/h	
$p_{inlet max}$	1 Mpa / 10 bar					
$t_{inlet max}$	40° C					
$t_{inlet max}$	20° C					
$F_{kickback}$	< 20 N					
$M_{machine}$	5.1 kg	6.0 kg	6.2 kg	6.4 kg	6.6 kg	
a_{ha}	< 2.5 ± 1 m/s ²					
$LpA_{standard}$	69.2 ± 3 dB(A)	71.2 ± 3 dB(A)	71.8 ± 3 dB(A)		69.9 ± 3 dB(A)	
$LWA_{standard}$	84 dB(A)	86 dB(A)	85 dB(A)		85 dB(A)	

We reserve the right to make alterations