

# PARTS LIST

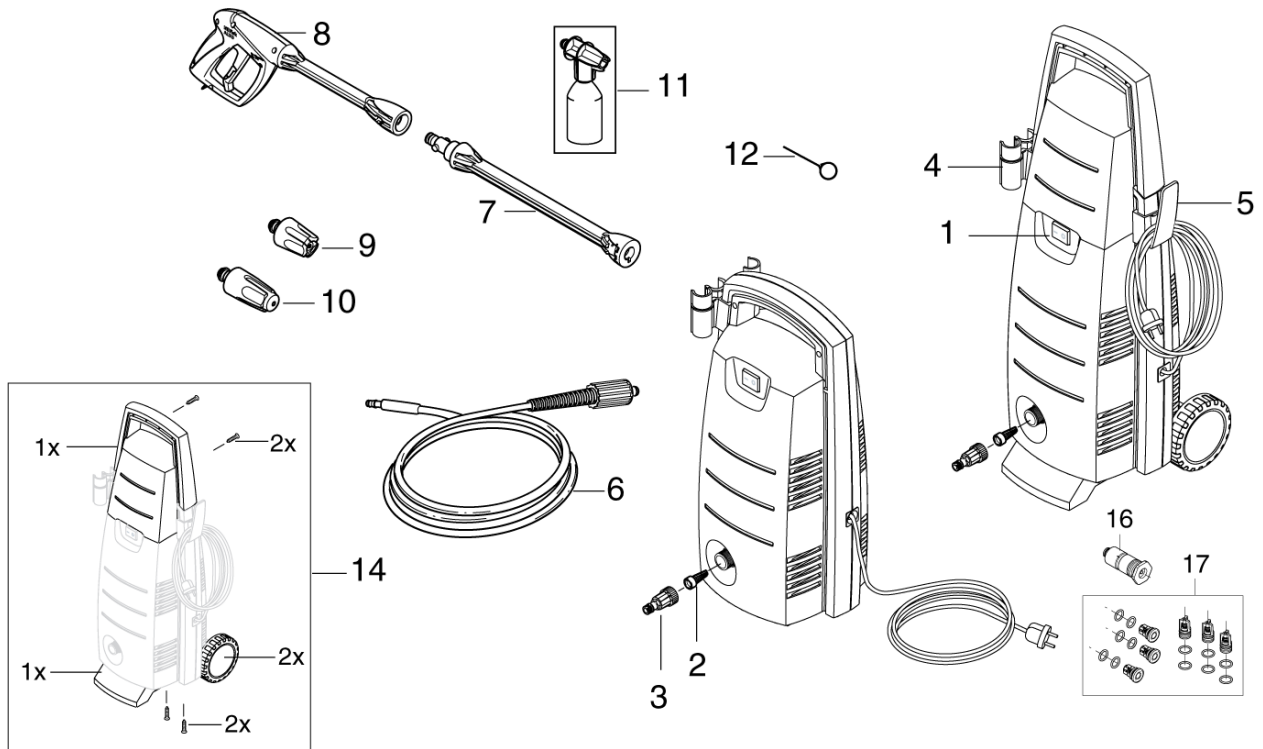


2020.02.02

# TABLE OF CONTENTS

---

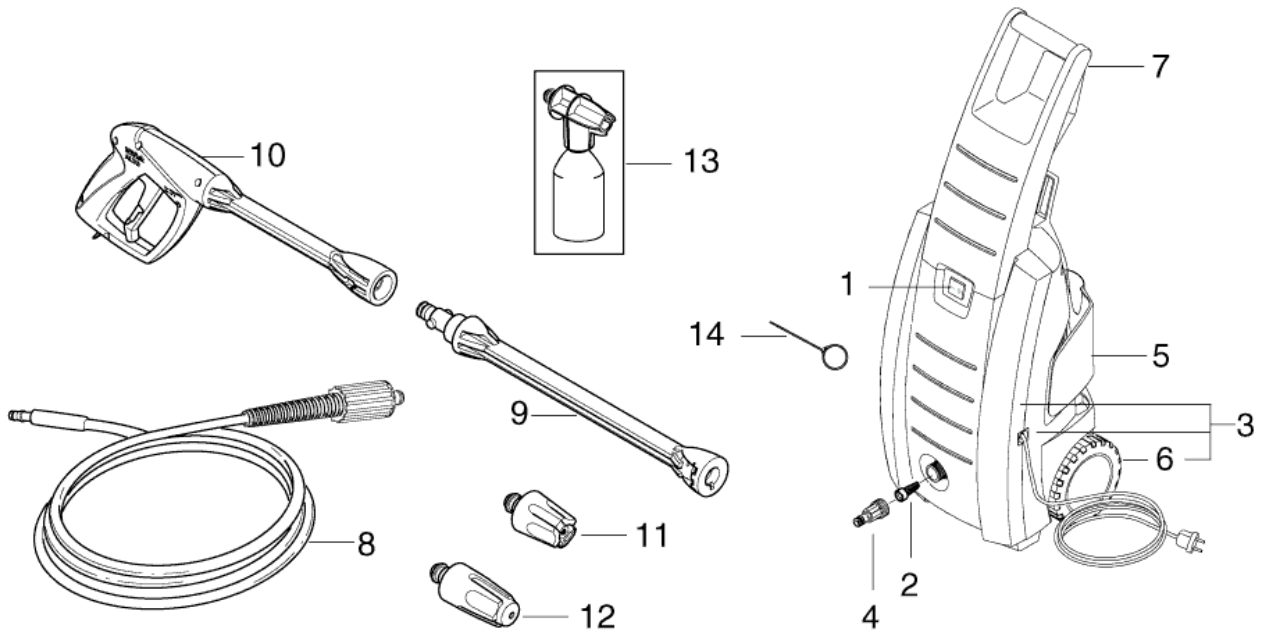
Overview CLASSIC 100, 110..... 1  
Overview CLASSIC 120..... 3



No.	Part No.	Qty.	Description	Part Note
01	126486831	1	SWITCH CPL	
02	6481094	1	FILTER	
03	1402809	1	QUICK COUPLING MALE W.	
04	126486830	1	LANCE HOLDER	[1]
05	126486829	1	CABLE HOLDER	[2]
06	126481140	1	HOSE 9M	
07	128500073	1	G2 C&C SPRAY LANCE	
08	128500070	1	G2 SPRAY HANDLE	
09	126481114	1	TORNADO G2	[3]
09	126481122	1	TORNADO G2	[4]
10	126481123	1	POWERSPEED G2	
11	128500077	1	C&C FOAMSPRAYER WITH BOTT	
12	6520844	1	CLEANING TOOL, BLACK	
14	126486832	1	WHEELS & HANDLE KIT C110	[5]
16	127410240	1	START/STOP VALVE COMPLETE	
17	126486773	1	REP.KIT VALVE SYSTEM	[2]

Part Notes:

- [1] - Machine outphased 2003
- [2] - STOCK COVERS GUARANTEE
- [3] - 0 dot
- [4] - 2 dot
- [5] - GUARANTEE DATE EXPIRED



No.	Part No.	Qty.	Description	Part Note
01	126486831	1	SWITCH CPL	
02	6481094	1	FILTER	
03		1	Not available	
04	1402809	1	QUICK COUPLING MALE W.	
05	126486838	1	CABLE HOLDER	[1]
06	126486840	2	WHEEL KIT	[1]
07	126486837	1	DRIVING HANDLE	[1]
08	126481140	1	HOSE 9M	
09	128500073	1	G2 C&C SPRAY LANCE	
10	128500070	1	G2 SPRAY HANDLE	
11	126481115	1	POWERSPEED	
12	126481117	1	PR TORNADO	
13	128500077	1	C&C FOAMSPRAYER WITH BOTT	
14	6520844	1	CLEANING TOOL, BLACK	

Part Notes:

[1] - GUARANTEE DATE EXPIRED

