

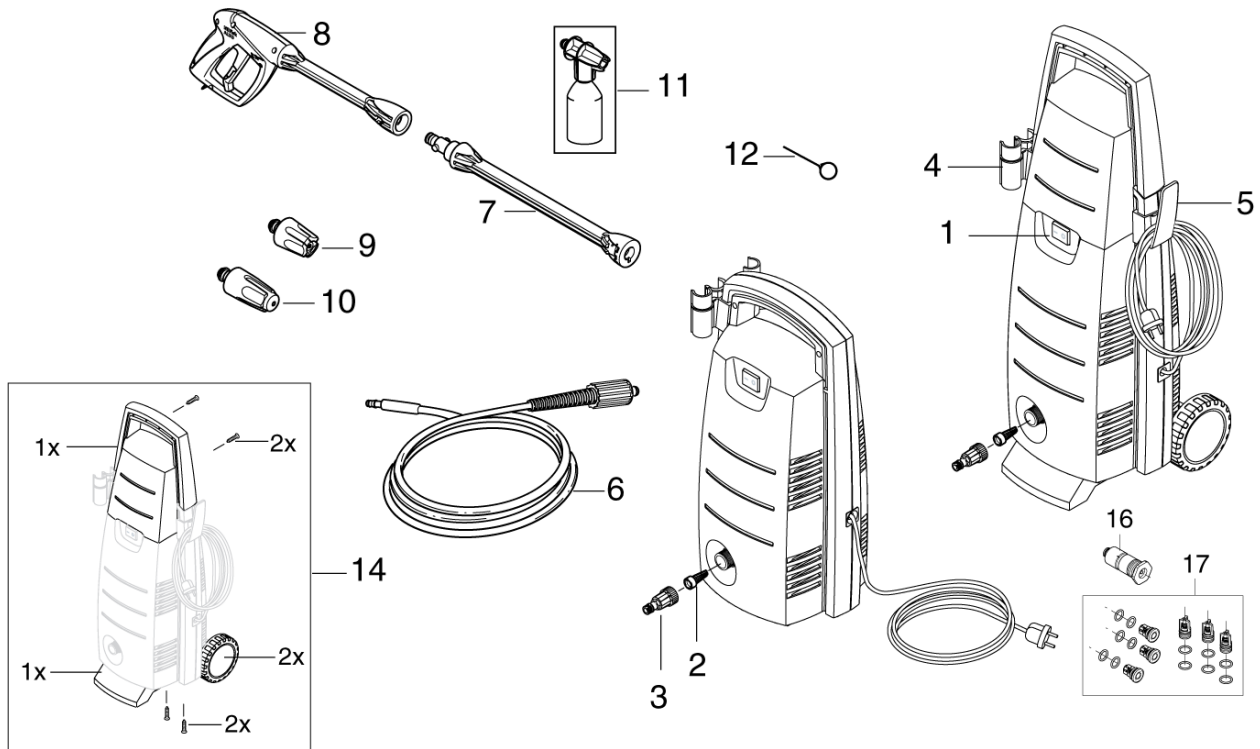
PARTS LIST



2020.02.02

TABLE OF CONTENTS

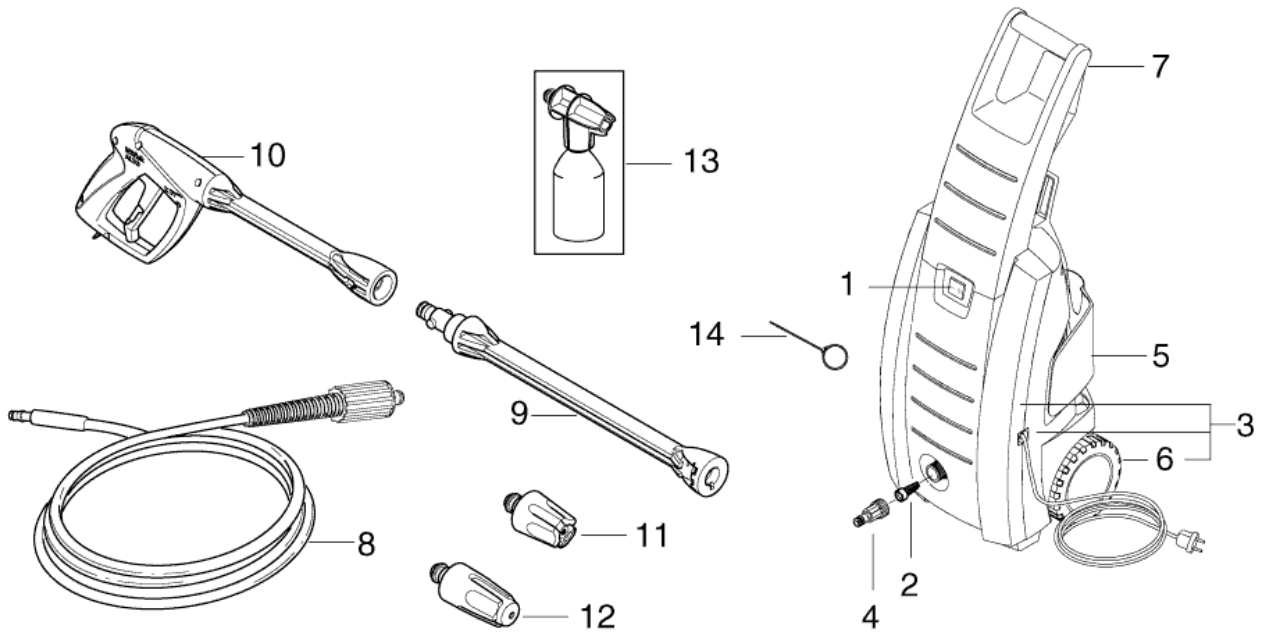
Overview CLASSIC 100, 110..... 1
Overview CLASSIC 120..... 3



| No. | Part No. | Qty. | Description | Part Note |
|-----|-----------|------|---------------------------|-----------|
| 01 | 126486831 | 1 | SWITCH CPL | |
| 02 | 6481094 | 1 | FILTER | |
| 03 | 1402809 | 1 | QUICK COUPLING MALE W. | |
| 04 | 126486830 | 1 | LANCE HOLDER | [1] |
| 05 | 126486829 | 1 | CABLE HOLDER | [2] |
| 06 | 126481140 | 1 | HOSE 9M | |
| 07 | 128500073 | 1 | G2 C&C SPRAY LANCE | |
| 08 | 128500070 | 1 | G2 SPRAY HANDLE | |
| 09 | 126481114 | 1 | TORNADO G2 | [3] |
| 09 | 126481122 | 1 | TORNADO G2 | [4] |
| 10 | 126481123 | 1 | POWERSPEED G2 | |
| 11 | 128500077 | 1 | C&C FOAMSPRAYER WITH BOTT | |
| 12 | 6520844 | 1 | CLEANING TOOL, BLACK | |
| 14 | 126486832 | 1 | WHEELS & HANDLE KIT C110 | [5] |
| 16 | 127410240 | 1 | START/STOP VALVE COMPLETE | |
| 17 | 126486773 | 1 | REP.KIT VALVE SYSTEM | [2] |

Part Notes:

- [1] - Machine outphased 2003
- [2] - STOCK COVERS GUARANTEE
- [3] - 0 dot
- [4] - 2 dot
- [5] - GUARANTEE DATE EXPIRED



| No. | Part No. | Qty. | Description | Part Note |
|-----|-----------|------|---------------------------|-----------|
| 01 | 126486831 | 1 | SWITCH CPL | |
| 02 | 6481094 | 1 | FILTER | |
| 03 | | 1 | Not available | |
| 04 | 1402809 | 1 | QUICK COUPLING MALE W. | |
| 05 | 126486838 | 1 | CABLE HOLDER | [1] |
| 06 | 126486840 | 2 | WHEEL KIT | [1] |
| 07 | 126486837 | 1 | DRIVING HANDLE | [1] |
| 08 | 126481140 | 1 | HOSE 9M | |
| 09 | 128500073 | 1 | G2 C&C SPRAY LANCE | |
| 10 | 128500070 | 1 | G2 SPRAY HANDLE | |
| 11 | 126481115 | 1 | POWERSPEED | |
| 12 | 126481117 | 1 | PR TORNADO | |
| 13 | 128500077 | 1 | C&C FOAMSPRAYER WITH BOTT | |
| 14 | 6520844 | 1 | CLEANING TOOL, BLACK | |

Part Notes:

[1] - GUARANTEE DATE EXPIRED

