

Gerni

Classic 120.2

Classic 125.2



User Guide



Contents

1	Introduction	4
	1.1 Symbols used to mark instruction.....	4
2	Safety precautions and working techniques	4
2	Description	10
3	Before you start using your pressure washer	11
	3.1 Mounting of trolley handle and hose hook	11
	3.2 Mounting of trolley handle and hose reel (models with hose reel).....	11
	3.3 Mounting of quick coupling	11
	3.4 Mounting of high pressure hose	11
4	Operating your pressure washer	12
	4.1 Connection of high pressure hose	12
	4.2 Mounting of spray lance and Click & Clean nozzles	12
	4.3 Models with hose reel.....	12
	4.4 Water connection.....	13
	4.5 Start and stop of the machine (when connected to a water supply).....	13
5	Fields of application and working methods	14
6	After using your pressure washer	16
	6.1 Storing the washer.....	16
	6.2 Winding up of electric cable and high pressure hose	16
	6.3 Storage of accessories	17
	6.4 Wall storage.....	17
7	Maintenance	18
	7.1 Cleaning of water inlet filter	18
	7.2 Cleaning of nozzle	18
8	Trouble-shooting	20
9	Further information	21
	9.1 Recycling the washer.....	21
	9.2 Warranty conditions	21
	9.3 Accessories	22
10	Main technical data	23
11	Declaration of Conformity	24

1 Introduction

1.1 Symbols used to mark instruction

All pictograms attached to the high pressure washer and its components are shown and explained in this manual.



Safety instructions marked with this symbol must be observed to prevent personal injury or serious damage to property.



Caution where there is a risk of damaging the machine or its individual components.



This symbol indicates tips and instructions to simplify work and to ensure a safe operation of the high pressure washer.

2 Safety precautions and working techniques



Before starting up your machine for the first time, this instruction manual must be read through carefully. Save the instructions for later use.



WARNING!

- Inhalation of aerosols can be hazardous to health. Where applicable use a device in order to avoid or reduce aerosols production, e.g., a shield covering the nozzle. For protection against aerosols use a respiratory mask of class FFP 2 or higher.
- The high water pressure generated by the machine and the power connection are particular sources of danger.
- Machines shall not be used by children or untrained personnel. Children should be supervised to ensure that they do not play with the machine.
- Do not use the machine within range of persons unless they wear protective clothing.
- Before starting up your machine please check it carefully for any defects. If you find any, do not start up your machine, contact your Gerni distributor. The insulation of the electric cable should be faultless and without any cracks. If the electric cable is damaged, an authorized Gerni distributor should replace it.
- Always unplug the power plug before cleaning or maintenance and when replacing parts or converting the machine to another function.

- Observe the national safety regulations issued, for example, by the employers liability insurance association, social security institutions, occupational safety and health authorities or other organizations.



Accessories and spare parts

- To ensure the machine safety only use original spare parts from Gerni or approved by Gerni.
- High pressure hoses, fittings and couplings are important for the safety of the machine. Only use hoses, fittings and couplings recommended by Gerni.



Physical, sensory or mental conditions

- This machine is not intended for use by persons (including children) with reduced physical, sensory or mental capabilities or lack of experience and knowledge. If the machine is used by people with reduced physical, sensory or mental capabilities or lack of experience and knowledge they shall have been given supervision or instruction concerning use of the machine in a safe way and understand the hazards involved.



Applications

This machine has been developed for domestic use such as:

- Car, motorbike, boat, caravan, trailer, patio/drive/flagstones, woodwork, brickwork, barbecue, garden furniture, lawn mower.

Any other use is considered as improper use. Gerni accepts no liability for any damage resulting from such use. The risk for such use is borne solely by the user. Proper use also includes proper operation, servicing and repairs as specified in this instruction.

Clothing and equipment

Always take action to protect yourself when operating the machine.

- Wear shoes with non-slip soles.
- Wear goggles, ear protection and protective clothes

during operation.



Transporting the high pressure washer

- When transporting the machine in or on a vehicle, it must be secured, e.g. with straps, so that it cannot slip or tip over.
- Gerni recommends that the machine is positioned horizontally on the backside, when transported in or on a vehicle.



Detergents

- This machine has been designed for use with cleaning agents supplied or recommended by Gerni. The use of other cleaning agents or chemicals may adversely affect the function of the machine.



Before starting the work Inspecting the machine

- Do not use the machine if a supply cord or important parts of the machine are damaged, e.g., safety device, high pressure hose, and spray handle and spray attachments.
- The trigger of the spray handle must move easily and automatically return to its starting position when released.
- Always keep high pressure hose and spray attachment in good condition (clean, moving easily) and correctly assembled.

Electrical connection



WARNING!

Minimize the risk for electrical shock:

- Voltage and frequency of the machine (see rating plate) must match the voltage of and frequency of the mains supply.
- Only connect the machine to electrical installation made by a certified electrician and comply with IEC 60364-1.
- It is recommended that the electrical supply to the

machine should include a residual current device that will interrupt the supply if the leakage current to earth exceeds 30 mA for 30 ms.

- Inadequate extension cables can be dangerous. If an extension cable is used, it shall be suitable for outdoor use, and the connection has to be kept dry and off the ground.
- Gerni recommends use of an extension cable drum when cable extension is needed which keeps the socket at least 60 mm above the ground.
- If the electric cable is damaged, it must be replaced by an authorized Gerni distributor or similar qualified person in order to avoid a hazard.



Water connection

- This high pressure washer is only allowed to be connected with the drinking water mains, when an appropriate backflow preventer has been installed, Type BA according to EN 60335-2-79.
- The backflow preventer can be ordered under number 106411177.
- As soon as drinking water has flown through the backflow preventer, it is no longer regarded as drinking water.
- Operation by suction (e.g. a rainwater vessel) is carried out without a backflow preventer – see “**Connecting to a pressureless water supply**”. The machine can be connected to water mains with a max. inlet-pressure of 1 MPa/10 bars and max. 40°C.

Safety devices

The machine automatically stops when releasing the trigger. The machine will start again when reactivating the trigger.

Locking device on spray handle:

- The spray handle features a locking device. When the pawl is activated, the spray handle cannot be operated.

Thermal sensor:

- The machine has an automatic and self-resetting

thermo-protector. If the machine is overheated, the thermo-protector will cut the power supply, in this case turn off the machine. Wait for the machine to cool down and restart the machine.

Pressure safety device:

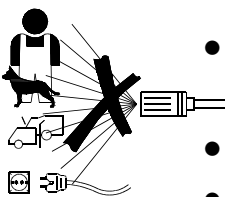
- An integrated hydraulic safety valve protects the system from excessive pressure.

During work



WARNING!

- It is not allowed to clean asbestos-containing surfaces with high pressure.
- Risk of explosion – Do not spray flammable liquids.
- Never draw in fluids containing solvents (e.g., gasoline, heating oil, paint thinner or acetone) These substances damage the materials used in the machine. Their spray is highly combustible, explosive and poisonous.
- Never direct the water jet at yourself, other persons, not even to clean clothing or footwear - **risk of injury**.
- Never direct the water jet at pets or other animals.
- Never direct the water jet at live electrical equipment or the machine itself - **danger of short-circuiting**.
- The spray lance is affected by a kickback force less than 20N and a sudden torque when activating the trigger of the spray handle during operation.
- This high pressure washer machine must not be operated at temperatures below 0°C.
- Never start up a frozen machine. Frost damages are not covered by the guarantee!
- Always ensure firm and safe footing.
- The machine shall be operated in an upright position.
- If the machine is left or not used for 5 minutes, it must be switched off on the start/stop switch "O" (1).



After finishing the work



WARNING!

- Always switch off the machine and unplug the power plug from the socket after work and when leaving the machine unattended.
- Disconnect water inlet hose between machine and water supply.
- Always empty pump, hose and accessories of water after use of the machine and prior to storing.

Maintenance and repairs



WARNING!

- Always disconnect the electrical plug from the socket prior to maintenance, cleaning and repair.
- Any repair should always be made in Gerni authorized workshop with original Gerni spare parts.
- Do not attempt any maintenance not described in the instructions.
- If the machine refuses to start, stops, pulsates, pressure fluctuates, motor busses, fuse blows or no water comes out, check the trouble shooting diagram in these instructions. In case other problems occur, please contact your local Gerni distributor.



Recycling the high pressure washer

Make the old machine unusable immediately.

- Unplug the machine.
- Cut the electric cable.

Do not discard electrical appliances with household waste. As specified in WEEE Directive 2012/19/EC on old electrical and electronic appliances, used electrical goods must be collected separately and recycled ecologically. Contact your local authorities or your nearest dealer for further information.

2 Description

2.1 Application

This high-pressure washer has been developed for domestic use for cleaning:

- *Car, motorbike, boat, caravan, trailer, patio/drive/flagstones, woodwork, brickwork, barbecue, garden furniture, lawn mower*

Section 5 describes the use of the high-pressure washer for various cleaning jobs.

Only use the high-pressure washer for purposes described in this manual.

The safety precautions must be observed to prevent damage to the machine, the surface to be cleaned or severe personal injuries.

2.2 Operation elements and model survey



See illustration at the end of this manual.

- 1 Start/stop switch
- 2 Water inlet (with filter)
- 3 High pressure connection
- 4 High pressure hose
- 5 Electric cable
- 6 Click & Clean spray lance
- 7 Spray gun with lock
- 8 Click & Clean Tornado® PR nozzle
- 9 Click & Clean Powerspeed® nozzle

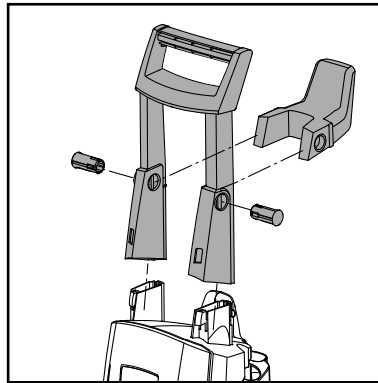
- 10 Click & Clean foam sprayer
- 11 Nozzle cleaning tool
- 12 Trolley Handle
- 13 Hose hook
- 14 Model tag
- 15 Warning sign
- 16 Cable hook
- 17 Hose reel (models with hose reel)

Specifications: See model tag (14) of machine.

We reserve the right to alter the specifications.

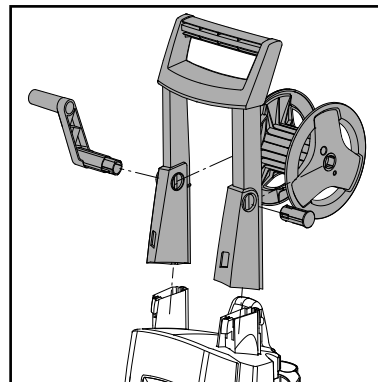
3 Before you start using your pressure washer

3.1 Mounting of trolley handle and hose hook



1. Mount the trolley handle (12) on the machine.
2. Mount the hose hook (13) on the handle.

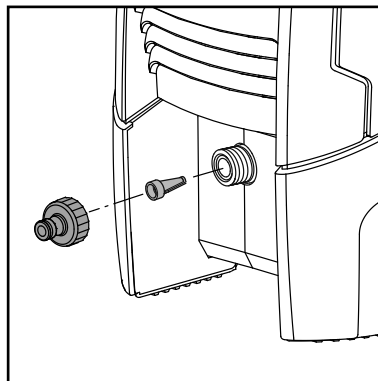
3.2 Mounting of trolley handle and hose reel (models with hose reel)



1. Mount the trolley handle (12) on the machine.
2. Mount the hose reel (17) on the handle.

3.3 Mounting of quick coupling

1. The inlet filter is factory fitted into the water inlet pipe. Check that this is in the pipe

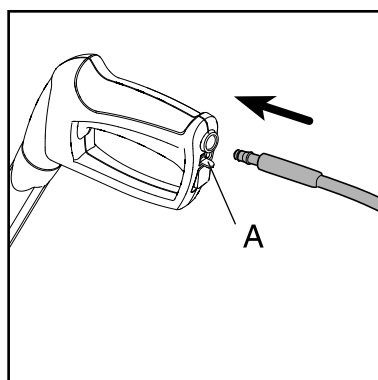


2. Screw the quick coupling tight on to the water inlet (2).

Note: The inlet filter must always be fitted in the water inlet pipe to filter out sand, limestone and other impurities as these will damage the pump valves.

Caution: Failure to fit the filter will invalidate the guarantee.

3.4 Mounting of high pressure hose

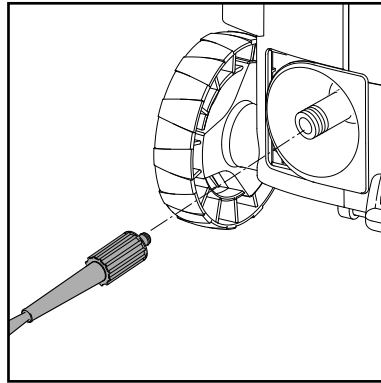


Attach the high pressure hose (4) to the spray gun (7).

Detach the high pressure hose by pressing the button (A).

4 Operating your pressure washer

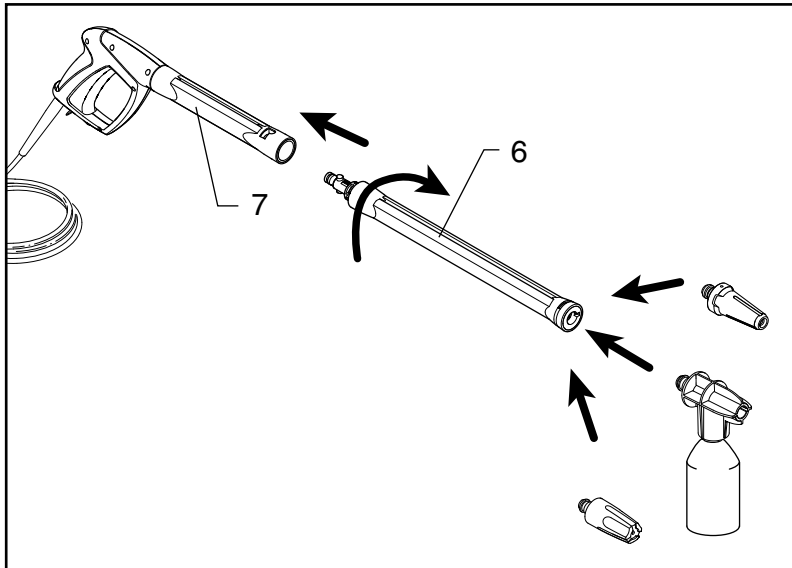
4.1 Connection of high pressure hose



1. Mount the high pressure hose on the outlet (3).

4.2 Mounting of spray lance and Click & Clean nozzles

1. Push the spray lance (6) into the spray gun (7) and twist it until the bayonet coupling locks into position.



Note: The spray lance (6) has a built-in low pressure nozzle that can be used for flushing away dirt.

2. Attach the nozzle.



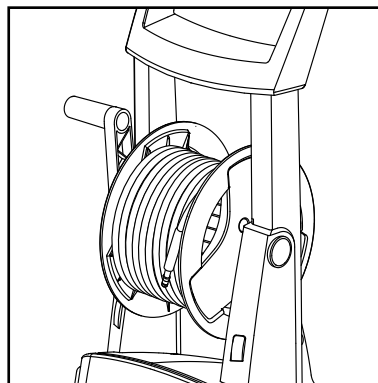
Warning: When attaching the Click & Clean nozzles, the button on the side of the spray lance should return to the locked position. Ensure that there is an audible "click".



Note: The Tornado® PR nozzle and the foam sprayer feature a swivel lock, which must be positioned in the hole in the Click & Clean spray lance.

Press the button to detach the Click & Clean nozzle.

4.3 Models with hose reel

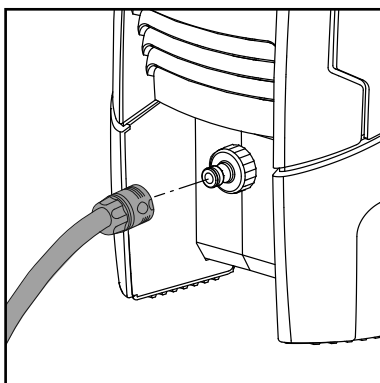


The hose reel is a storage for the hose.

The hose must be removed totally from the storage reel prior to use and connected to the machine as per diagram 4.1.

4.4 Water connection

An ordinary 1/2" garden hose of **min. 10 m** and **max. 25 m** will be suitable.



NOTE: Connection to the public mains according to regulations.



IMPORTANT!
Only use water without any im-

purities. If there is a risk of silt, sand or sediment in the inlet water (i.e. from your own well), an additional filter should be mounted.

1. Let the water run through the water hose before connecting it to the machine to prevent sand and dirt from penetrating the machine.

Note: Check that the filter is fitted in the water inlet pipe and that it is clean and free from debris.

2. Connect the water hose to the water supply by means of the quick connector (inlet water, max. pressure: 10 bar, max. temperature: 40°C).

3. Turn on the water.

4.5 Start and stop of the machine (when connected to a water supply)



The spray lance is affected by a thrust during operation - therefore always hold it firmly with both hands. **IMPORTANT: Point the nozzle at the ground.**

1. Check that the machine is in upright position.

NOTE: Do not place the machine in tall grass!

2. Release the trigger lock.

3. Activate the trigger of the spray gun and let the water run until all air has escaped from the water hose.

4. Turn the start/stop switch (1) to position "I".

5. Activate the trigger of the spray gun.

Always adjust the distance and thus the pressure of the nozzle to the surface, which is to be cleaned.

Do not cover the machine during operation.



Note: If the machine is left or not used for 5 min-

utes, it must be switched off on the start/stop switch "O" (1):

1. Turn the start/stop switch (1) to position "O".

2. Disconnect the electrical plug from the socket.

3. Shut off the water supply and activate the trigger to relieve the machine of pressure.

4. Lock the spray gun.

When releasing the trigger of the spray gun, the machine automatically stops. The machine will start again when you re-activate the spray gun.

4.5 Start the machine (when connected to open containers (suction mode))

The washer can draw water from a rain water tank as an example. The hose for the water supply must not be too long, approx. 5 m.

Make sure that the water tank is not placed on a lower level than the machine.

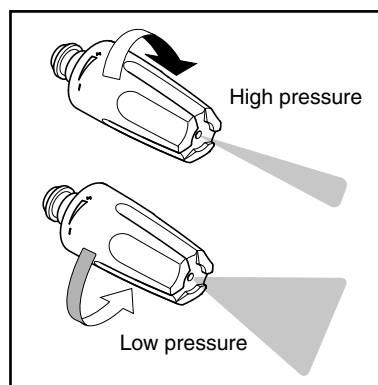
Use an external filter if the water contains impurities.

1. Make sure that the water hose is filled completely with water before connecting to the machine. Place the entire

hose in a tank or bucket. To avoid water spillage, crimp the water inlet hose inside the water and then connect to the machine with the quick coupling and finally uncrimp the water inlet hose

2. Turn the start/stop switch (1) to position "I".
3. Activate the trigger of the spray gun with lance and nozzle removed and let the water run, until the air has escaped from the water hose and the pump.
4. Mount spray lance and nozzle.

4.6 Pressure regulation on the TORNADO® PR-nozzle



The pressure can be regulated on the TORNADO® PR nozzle.

5 Fields of application and working methods

5.1 General

Efficient high pressure cleaning is achieved by following a few guidelines, combined with your own personal experience of specific cleaning tasks. Accessories and detergents, when correctly chosen, can increase the efficiency of your pressure washer. Here is some basic information about cleaning.

5.1.1 Detergent and foam

Foam or detergent should be applied onto dry surfaces so that the chemical product is in direct contact with the dirt. Detergents are applied from bottom to top, for example on a car bodywork, in order to avoid "super clean" areas, where the detergent collects in higher concentration and streams downwards. Let the detergent work for several minutes before rinsing but never let it dry on the surface being cleaned. **Note:** It is important that the detergents do not dry up. Otherwise the surface that has to be cleaned can be damaged.

5.1.2 Mechanical effect

In order to break down tough layers of dirt, additional mechanical effect may be required. Special wash brushes offer this supplementary effect that cuts through dirt (especially by car washing).

5.2 Typical fields of application

Below you will find a description of a lot of cleaning tasks which can be solved by a pressure washer from Gerni in association with accessories and detergents.

Task	Accessories 'Click & Clean'	Cleaning method
Car	Car nozzle, auto brush, underchassis nozzle, Foam sprayer, neutral car wash	<ol style="list-style-type: none"> 1. Apply neutral car wash with the foam sprayer. Always start from the bottom and work upwards. Let neutral car wash act for approximately 5 minutes. 2. Wash the car with the car nozzle, which has been optimized for quick and gentle cleaning of enamelled surfaces (the jet is wider and not so sharp). Start at the front of the car and work backwards to avoid water from entering the car via the door seals. 3. Use the brush for removal of traffic film which is not removed by the nozzle. If the car is very dirty, apply neutral car wash again. 4. Attach the undercarriage nozzle and clean undercarriage and wheel arches. 5. Remove water from the surface of the car with the squeegee on the car brush. Make sure that all grains of sand etc. have been removed before using the squeegee. Wipe with a wash leather where the squeegee cannot reach.
Flagstones, concrete floors and other hard surfaces	Powerspeed® nozzle, neutral detergent Patio Cleaner	Wash towards outlets or the like. On surfaces with moss or algae you may start by applying neutral detergent with the foam sprayer. Wash before the soap dries. Another more effective and quicker method is to use the Patio Cleaner. Thus you will also avoid splashes.
Garden furniture, wood	Neutral detergent Garden brush	Apply neutral detergent and wash before the soap dries. NOTE: Use the garden brush to clean off the dirt.
Brick-work, Wood work	Powerspeed® nozzle, neutral detergent, Patio Cleaner	Same method as for flagstones, but be careful - bad joints and wood may be damaged by high pressure. You may choose only to use the Tornado® nozzle. Adjust the distance (pressure) to the quality of the joints and the wood. Patio Cleaner can also be used on vertical surfaces.
Gutter	Underchassis spray lance	Wash the gutter with the nozzle. Always wash towards downpipes. Beware not to spray under the roofing.
Cleaning of drain pipes, out-lets, down pipes etc.	Tube cleaner	Push the tube cleaner approx. ½ m (to mark) into a tube or drain and activate the trigger of the spray handle. The nozzle opening turning backwards will pull the cleaner through the tube. The nozzle will break down the „plug“ and flush the dirt backwards.
Rust, paint	Water/sandblasting equipment	Mount the water/sand blasting equipment and rust and paint is efficiently and quickly removed. Beware not to damage the surface to be sandblasted.
Green- house	Tornado® PR nozzle, brush, neu- tral detergent	Wash with high pressure and maybe a brush. You may use neutral detergent to remove moss and algae.
Garden tools, lawn mover	Tornado® PR noz- zle, Powerspeed® nozzle, degreaser	Rinse the worst dirt off with the nozzle. Apply degreaser with the foam sprayer and let it act for approx. 5 min. Wash with the nozzle.

6 After using your pressure washer

6.1 Storing the washer



The machine should be stored in a frost-free room!

Pump, hose and accessories should always be emptied of water prior to storing as follows:

1. Stop the machine (turn the start/stop switch (1) to position "O") and detach water hose and accessory.
2. Restart the machine and activate the trigger. Let the machine run until no more water runs through the spray gun.

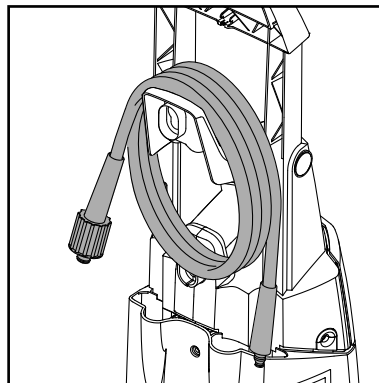
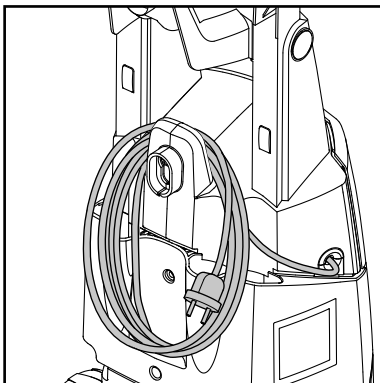
3. Stop the machine, unplug and wind up hose and cable.
4. Place spray handle, nozzles and other accessories in the holders of the machine.

Should the machine by mistake be frozen, it will be necessary to check it for damage.

NEVER START-UP A FROZEN MACHINE.

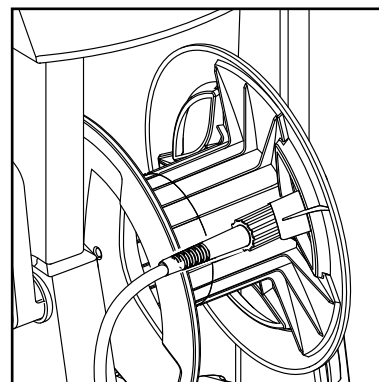
Frost damages are not covered by the guarantee!

6.2 Winding up of electric cable and high pressure hose



To avoid accidents, the electric cable and the high pressure hose should always be wound up carefully.

Wind up the electric cable and the high pressure hose on the appropriate hooks.



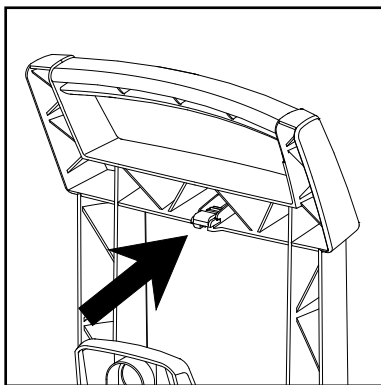
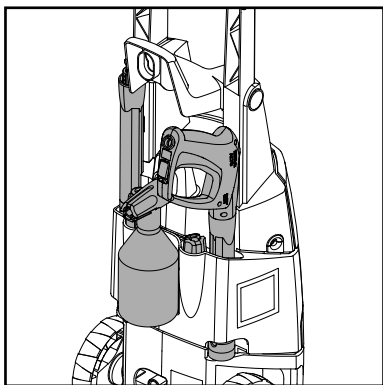
Models with hose reel:

Push the hose into the snap and wind it up.



Note: The hose must be removed from the hose reel before use, as it is a storage reel only.

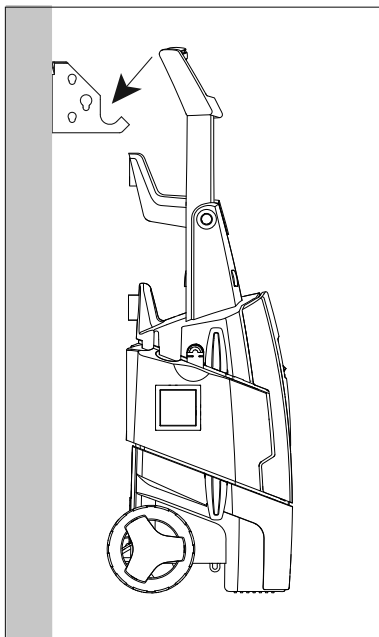
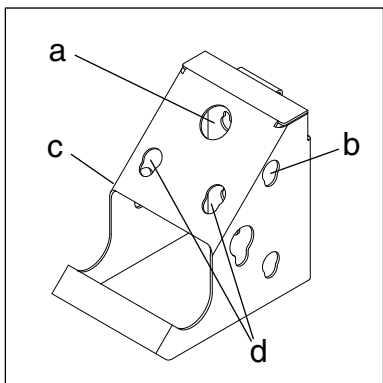
6.3 Storage of accessories



The standard accessories (spray gun, spray lance, nozzles and foam sprayer) can be stored on the pressure washer.

The nozzle cleaning tool can also be stored on the product.

6.4 Wall storage



The pressure washer can be stored on a wall on a special wall hook (optional accessory).

Only mount the wall hook on a sturdy wall. Adjust the length of the screws and size of rawl-plugs to the type of wall.

On the wall hook garden/rim brush (a) foam sprayer (b), Click & Clean brush (c) and Click & Clean nozzles (d) can be stored.



Note: For this product the wall hook can only be used as storage.



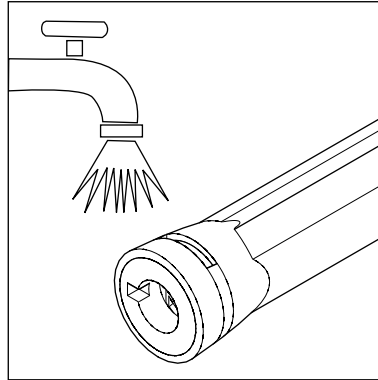
Important: The bearing capacity of the wall hook is max. 30 kg.

7 Maintenance



WARNING! Always disconnect the electrical plug from the socket prior to maintenance or cleaning.

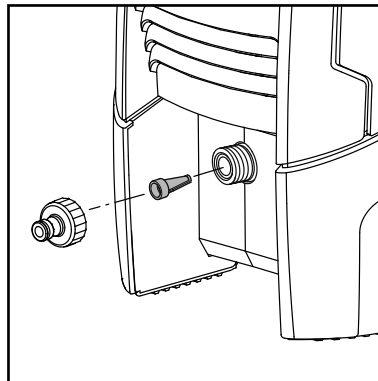
To ensure a long and problem free working life, please take the following advice:



- Wash off water hose, high pressure hose, spray lance and accessories before mounting.
- Clean the connectors of dust and sand.
- Make sure that no sand or dirt is blocking the movement of the button on the Click & Clean spray lance. Rinse according to requirement.
- Rinse the detergent spraying attachment after use.
- Clean the nozzles.

Any repair should always be made in an authorized workshop with original spare parts.

7.1 Cleaning of water inlet filter

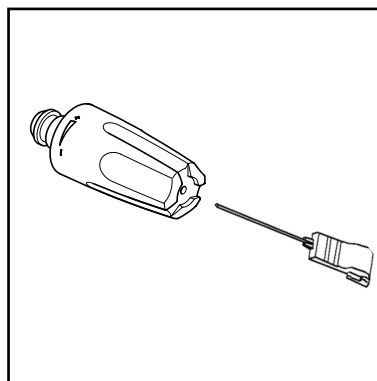


Clean the water inlet filter regularly once a month or more frequently according to use. Carefully loosen the filter with a screwdriver and clean it. Check that it is intact before re-mounting it.

The inlet filter must always be fitted inside the water inlet pipe to filter out sand, limestone and other impurities, as they will damage the pump valves.

CAUTION: Failure to fit the filter will invalidate the guarantee.

7.2 Cleaning of nozzle



Debris collecting in the nozzle results in excessive pump pressure. This is why cleaning is required immediately.

1. Stop the machine and disconnect the nozzle.
2. Clean the nozzle. **IMPORTANT:** The cleaning tool (11) should only be used when the nozzle is detached!
3. Flush the nozzle backwards with water.

7.3 Cleaning of machine vents

The machine should be kept clean so as to let cooling air pass freely through the machine vents.

7.4 Greasing of couplings

To ensure easy connection and that o-rings do not dry up, the couplings should be greased regularly.

8 Trouble-shooting

Please ensure that you check the following before contacting the Gerni service organization:

Symptom	Cause	Recommended action
Machine refuses to start	Machine not plugged in Defective socket Fuse has blown Defective extension cable	Plug in machine. Try another socket. Replace fuse. Switch off other machines. Try without the extension cable.
Fluctuating pressure	Pump sucking air	Check that hoses and connections are airtight.
Motor hums	Low voltage or low temperature	Activate the trigger of the spray gun.
Machine stops	Fuse has blown Incorrect mains voltage Thermal sensor activated Nozzle partially blocked	Replace fuse. Switch off other machines. Check that the mains voltage corresponds to specification on the model tag. Leave the washer for 5 minutes to cool down. Clean the nozzle (see section 7.2)
Fuse blows	Fuse too small	Change to an installation higher than the amp. consumption of the machine. You may try without the extension cable.
Machine pulsating	Air in inlet hose/pump Inadequate supply of mains water Nozzle partially blocked Water filter blocked Hose kinked	Allow machine to run with open trigger until regular working pressure resumes. Check that the water supply corresponds to specifications required (see model tag) NB! Avoid using long, thin hoses (min. 1/2") Clean the nozzle (see section 7.2) Clean the filter (see section 7.1) Straighten out hose.
Machine often starts and stops by itself	Pump/spray gun is leaking	Contact your nearest Gerni Service Centre.
Machine starts, but no water comes out	Pump/hoses or accessory frozen No water supply Water filter blocked Nozzle blocked	Wait for pump/hoses or accessory to thaw. Connect inlet water. Clean the filter (see section 7.1) Clean the nozzle (see section 7.2)

In case problems other than the above occur, please phone 1300 733 171 or check our website www.gerni.com.au for your nearest service agent.

9 Further information

9.1 Recycling the washer



Make the old cleaner unusable immediately.

1. Unplug the cleaner and cut the electric cable.

Do not discard electrical appliances with household waste.

As specified in WEEE Directive 2012/19/EU on old electrical and electronic appliances, used electrical goods must be collected separately and recycled ecologically.

Contact your local authorities or your nearest dealer for further information.

9.2 Warranty conditions

Our goods come with guarantees that cannot be excluded under the Australian Consumer Law. You are entitled to a replacement or refund for a major failure and for compensation for any other reasonably foreseeable loss or damage. You are also entitled to have the goods repaired or replaced if the goods fail to be of acceptable quality and the failure does not amount to a major failure.

Gerni high-pressure washers for domestic use are warranted for 2 years from the date of purchase by:

AUSTRALIA:

Nilfisk Pty LTd
Unit 1/13 Bessemer Street
Blacktown NSW 2148
Phone: 1300 556 710
E-mail: Warranty.au@nilfisk.com

NEW ZEALAND:

Accent Tools Ltd
232 Bush Rd
Albany
Auckland 0632
Phone: 09 968 2610
E-mail:
sales@accent-tools.co.nz

Equipment defects covered by this warranty will be repaired or replaced by one of the service centres of the Gerni organisation. Find your local service agent here:
<http://www.gerni.com.au/>.

If your high pressure washer or accessories are handed in for repair, it must be followed by a description/specification of the fault, and the original purchase receipt, or a copy, must be enclosed.

Packing and postage/carriage is not covered by the warranty.

The benefits under this warranty are in addition to your national law of sale.

Guarantee repairs are made on the following conditions:





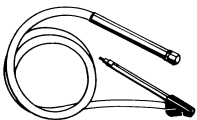

- that defects are attributable to flaws or defects in materials or workmanship. (wear and tear as well as misuse are not covered by the guarantee).
- that the directions of this instruction manual have been thoroughly observed.
- that repair has not been carried out or attempted by other than Gerni-trained service staff.
- that only original accessories have been applied.
- that the product has not been exposed to abuse such as knocks, bumps or frost.
- that only water without any impurities has been used.
- that the high pressure washer has not been used for rental nor used commercially in any other way.

Repairs not covered by the guarantee conditions will be invoiced. (i.e. malfunctions due to **Causes** mentioned in section **Trouble Shooting** of the instruction manual).

Please phone 1300 733 171 (Australia) or 09 9682610 (NZ) for service or warranty assistance only after checking possible causes in the trouble shooting chart on page 16.

9.3 Accessories

Only use original accessories.

Click & Clean Car nozzle		Special nozzle for enameled surfaces. Optimal distance: 30 - 50 cm.
Click & Clean Undershassis nozzle		90° angled special nozzle for undercarriage and wheel arches. Integrated guide shoes.
Click & Clean Brushes		For cars and other surfaces. Available in more shapes.
Extension hose		7 m extension hose increasing the working range.
Drain & Tube cleaner		15 m long tube cleaner for the cleaning of tubes and drains.
Water-sand-blasting equipment		For removal of paint and rust. Sand available from do-it-yourself shops.
Patio Plus		Equipment for quick cleaning of patio/drive/flagstones.

10 Main technical data

Type		Classic 120.2	Classic 125.2
Electrical Specification			
Rated voltage	V	230-240	230-240
Rated frequency	Hz	50	50
Rated power consumption	kW	1.6	1.8
Current	A	7.2	7.8
Protection class	Class I/ Class II	Class II	Class II
Protection degree	IP xx	IPX5	IPX5
Hydraulic specification			
Rated pressure	MPa/bar	10.0/100	10.5./105
Max. pressure	MPa/bar	12/120	12.5/125
Rated water flow	l/min	5.8	5.8
Max. water flow	l/min	8.6	8.6
Max. water inlet pressure	Mpa/bar	1/10	1/10
Max. water inlet temperature	°C	40	40
Max. water inlet temp. suction mode	°C	20	20
Weight			
Weight	kg	8.9	9
Hand-arm vibration according to ISO 5349-1:			
Standard nozzle	m/s ²	< 2.5 ±1	< 2.5 ±1
Sound pressure level L _{pA} in accordance with ISO 3744	dB(A)	78 ±3	78 ±3
Guaranteed sound power level L _{WA} in accordance with 2000/14/EC	dB(A)	92	92

11 Declaration of Conformity

We,

Nilfisk A/S
Kornmarksvej 1
DK-2605 Broendby
DENMARK

Hereby solely declare, that the product:

Product	Description	Type
HPW - Consumer	230 - 240 V 1~, 50/60 Hz - IP X5	Gerni Classic 120.2, Classic 125.2 and accessory variants of above-mentioned types

Is in compliance with the following standards:

Id and Version	Title
EN 60335-1:2012+A11:2014	Household and similar electrical appliances - Safety - Part 1: General requirements
EN 60335-2-79:2012	Household and similar electrical appliances - Safety - Part 2-79: Particular requirements for high pressure cleaners and steam cleaners
EN 55014-1:2006+A1:2009 +A2:2011	EMC - Requirements for household appliances, electric tools and similar apparatus - Part 1: Emission
EN 55014-2:1997+A1:2001 +A2:2008	EMC - Requirements for household appliances, electric tools and similar apparatus - Part 2: Immunity - Product family standard
EN 61000-3-11:2000	Electromagnetic compatibility (EMC) - Part 3-11: Limits - Limitation of voltage changes, voltage fluctuations and flicker in public low-voltage supply systems, for equipment with rated current ≤ 75 A per phase and subject to conditional connection
EN 50581:2012	Technical documentation for the assessment of electrical and electronic products with respect to restriction of hazardous substances

Following the provisions of:

Machinery Directive 2006/42/EC
EMC Directive 2004/108/EC → April 20, 2016 → 2014/30/EC
RoHS Directive 2011/65/EC

Noise Emission Directive 2000/14/EC – Conformity assessment procedure according to Annex V.

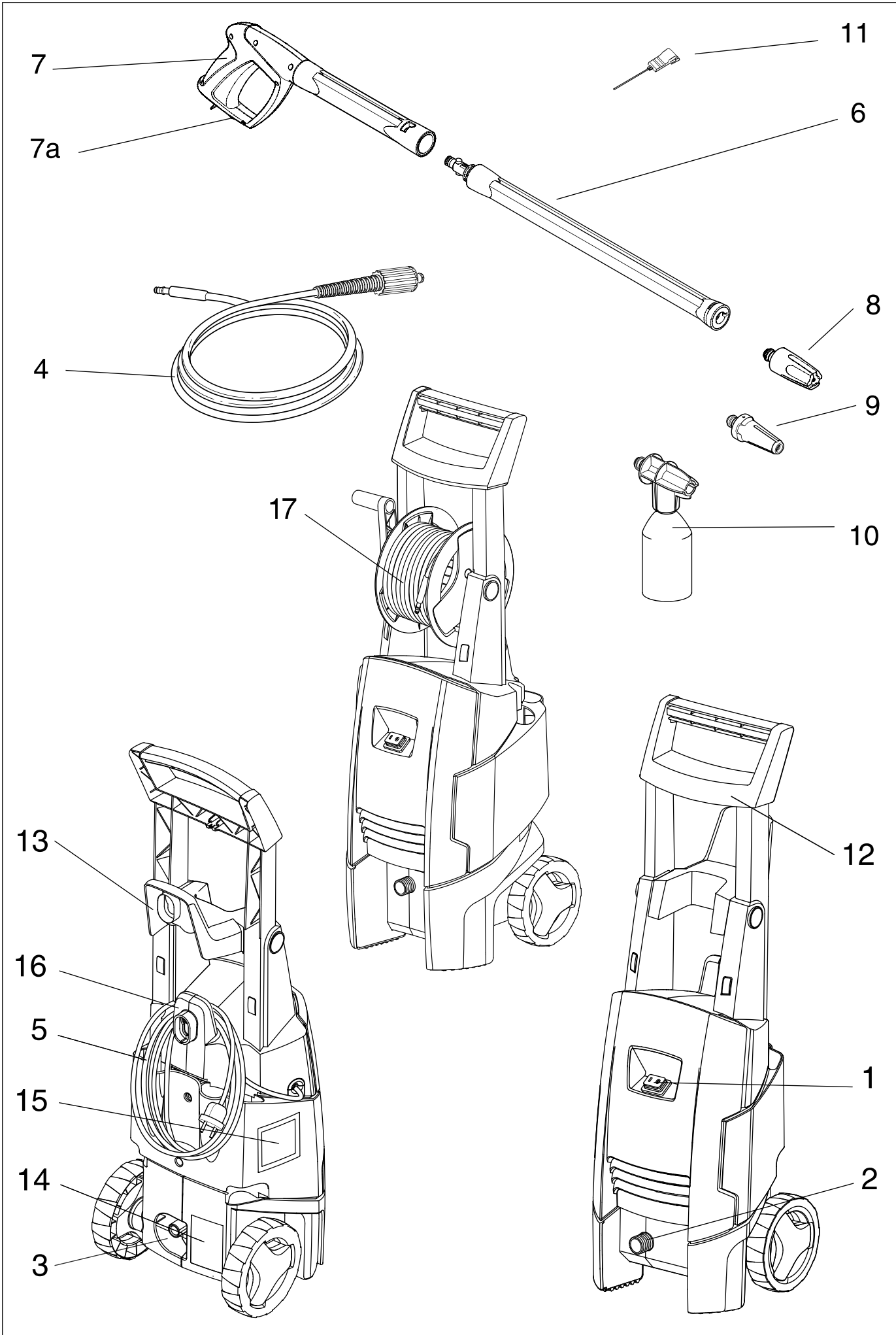
Compliance to harmonic current emissions is documented in the TCF

Measured noise level: 78 dB; Guaranteed noise level: 92 dB

Hadsund 2015-12-02 Anton Sørensen
Senior Vice President – Global Operations
R&D – Vacuum Cleaners and High Pressure Washers



Place	Date	Name, Title	Signature



AUSTRALIA:

Nilfisk Pty Ltd
Unit 1/13 Bessemer Street
Blacktown NSW 2148

Phone: 1300 556 710
E-mail: Info.au@nilfisk.com

NEW ZEALAND:

Accent Tools Ltd
232 Bush Rd
Albany
Auckland 0632

Phone: 09 968 2610
E-mail: sales@accent-tools.co.nz