

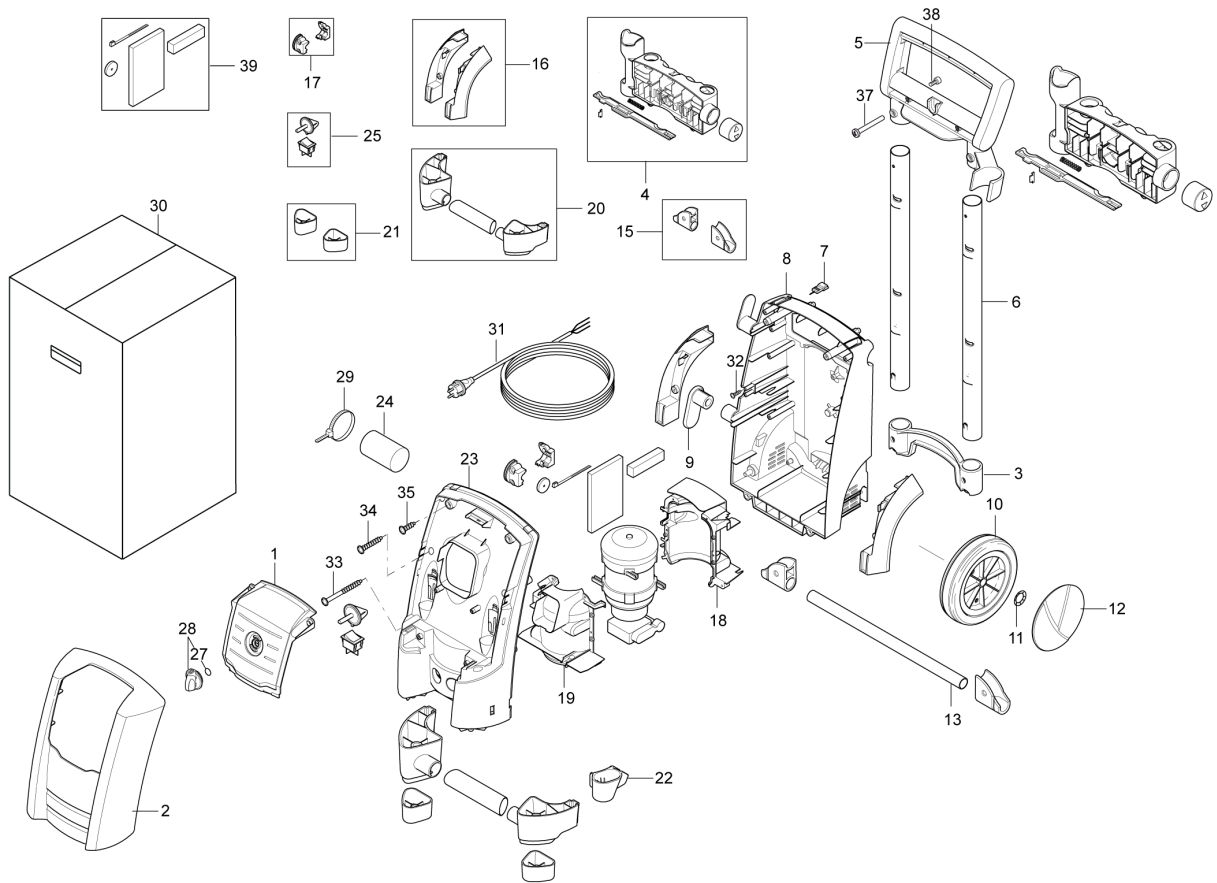
PARTS LIST



2020.02.02

TABLE OF CONTENTS

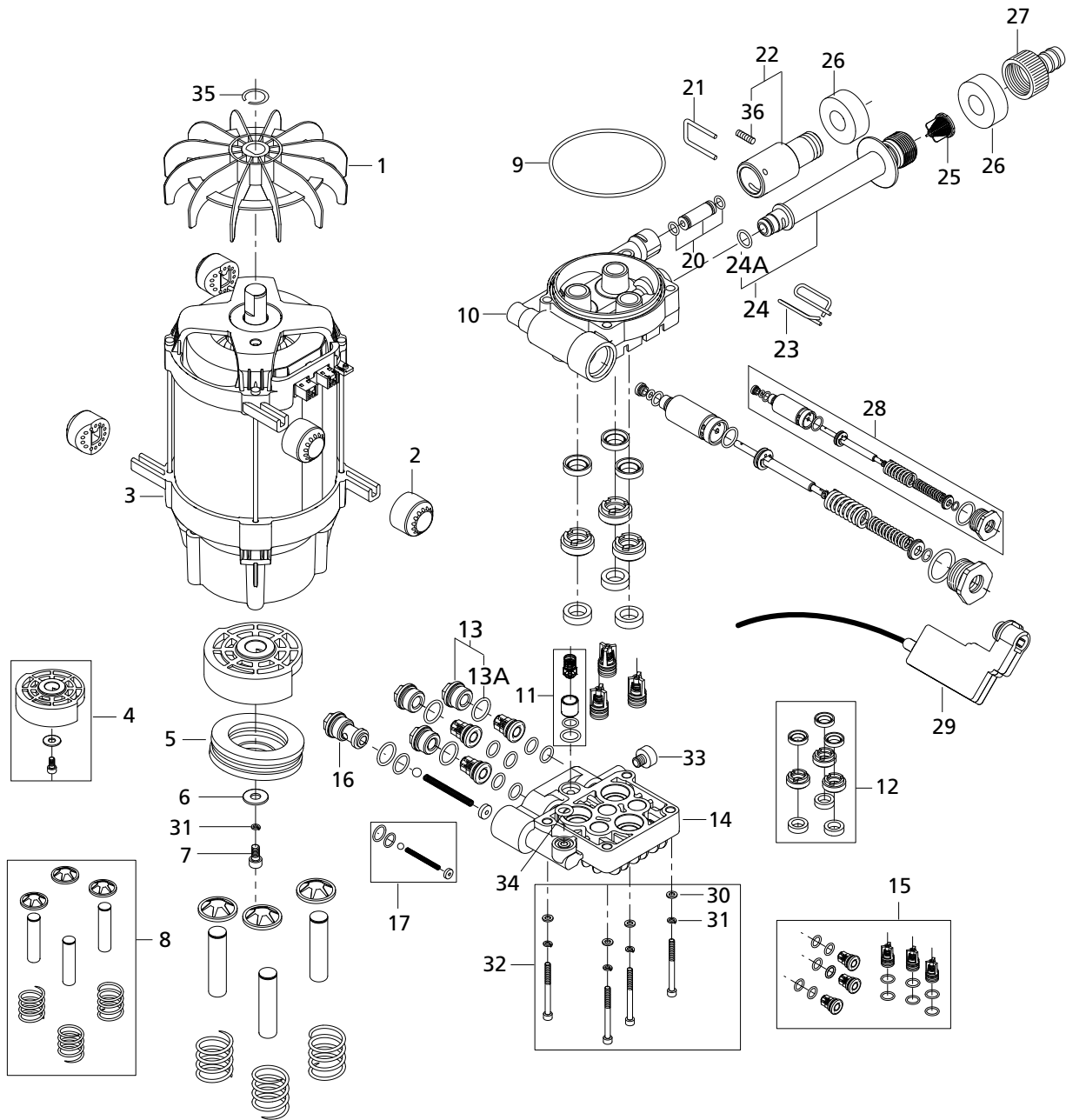
Overview	1
Motor pump Std.....	3
Default accessories.....	5



No.	Part No.	Qty.	Description	Part Note
1	127440015	1	SWITCH COVER	[1]
2	128342001	1	CABINET SUPER 140.2	[1]
2	128342000	1	CABINET SUPER	[1]
3	127440224	1	HANDLE BRIDGE	[1]
4	128500092	1	ACCESSORIES STORAGE GREEN	[1]
5	127440203	1	HANDLE	[1]
6	127440204	1	AL TUBE	[1]
7	6520844	1	CLEANING TOOL, BLACK	
8	127440206	1	CHASSIS BACK	[1]
9	127440208	1	ROTARY CABLE HOOK	[1]
10	127440209	2	WHEEL	[1]
11	127440210	2	LOCK WASHER	
12	126526278	2	WHEEL CAP SUPER GREEN	[1]
13	127440212	1	WHEEL AXLE LOCK	[1]
15	127444002	1	WHEEL AXLE LOCKER	[1]
16	127444003	1	MUD CAP SYSTEM	[1]
17	127444004	1	CABLE FASTEN	[1]
18	127440214	1	MP COVER BACK	[2]
19	127440215	1	MP COVER FRONT	[1]
20	127444005	1	HIGH FOOT WITH GRIP	[1]
21	127441006	1	LOW FOOT SYSTEM	[1]
22	127440216	1	LANCE HOLDER BOTTOM	
23	127440237	1	CHASSIS FRONT BLACK	[1]
24	127440219	1	CAPACITOR 30UF	[1]
24	127440238	1	CAPASITOR 25MF	
25	127444007	1	SWITH SYSTEM	
27	9868	1	O-RING 10.2X2.5 NBR 70	
28	126526281	1	ROTARY KNOB	[1]
29	1814741	1	CABLE TIE	
30	128500269	1	BOX SUPER 130.2 10PCS	[3]
30	128500270	1	BOX SUPER 130.2 S 10PCS	[3]
31	128300194	1	ELECTRIC CABLE	[1]
32	121814813	2	SCREW K40X25	[1]
33	121814814	2	SCREW K50X65	[1]
34	128500595	2	SCREW K50X35 WN1452	
35	107141838	2	SCREW K50X18 WN1451	
37	121814804	2	NUT FOR HANDLE M4X35 DZN1	[1]
38	121814805	2	SCREW M4X8 CROSS DZN7985	[1]
39	128500237	1	SPARE PART KIT IPX5 FOAM	[2]

Part Notes:

- [1] - STOCK COVERS GUARANTEE
- [2] - STOCK COVES GUARANTEE
- [3] - NO LONGER AVAILABLE



No.	Part No.	Qty.	Description	Part Note
01	127500040	1	NEW FAN	
02	128332334	4	RACK FOR MOTOR	
03	127500039	1	MOTOR 2.1KW	[1]
03	127500038	1	MOTOR 1.7KW	[1]
04	127500031	1	WOBBLE DISK 7.5 DEGREES	[2]
04	127500030	1	WOBBLE DISK 6.6 DEGREES	[3]
05	127500032	1	THRUST BALL BEARING	
06	127130066	1	WASHER D22XD6.4X1.5	
07	3913	1	SCREW M6X12	
08	127500003	1	PISTON COMPLETE	
09	128500289	1	O-RING 85X2.62 NR70	
10	127500004	1	CYLINDER GUIDE	
11	128342004	1	NON RETURN VALVE KIT OF N	
12	127500037	1	SEALING PARTS SYSTEM	
13	127500015	3	PLUG M18X1.5 WITH O-RING	
13A	3004221	3	O-RING 16X2 NITRIL 70 SHO	
14	127500034	1	CYLINDER HEAD	
15	6526026	1	VALVE SYSTEM REPAIR KIT	
16	127440017	1	EASY START PLUG 7.35X5	[1]
17	127440018	1	EASY START KIT	
20	127500007	1	REDUCTION WITH O-RING	
21	127500021	1	LOCK BRACKET	
22	127500043	1	NA1 STANDARE OUTLET	
23	126528532	1	LOCK BRACKET	
24	127500035	1	WATER INLET	
24A	127130107	1	O RING 11.5 x 1.9 SH 70	[1]
25	6528574	1	WATER FILTER COMPLETE.	
26	126486792	2	FOAM SEAL FOR OUTLET &	
27	1402809	1	QUICK COUPLING MALE W.	
28	128500323	1	S/S VALVE COMPLETE DIA	
29	127500010	1	MICRO SWITCH BOX SYSTEM	
30	127500029	4	WASHER	
31	127500050	4	SPRING WASHER	
32	127500071	4	SCREW M6X70 DIN 912 4PCS	
33	3289	1	SET SCREW M8X10 DIN 913	
34	3001211	1	O-RING 9.6X2.4 NITRIL 70	
35	127500051	1	LOCK RING	
36	128500242	1	M5 SCREW DIN916 SP	

Part Notes:

- [1] - STOCK COVERS GUARANTEE
- [2] - 1,9/2,1KW
STOCK COVERS GUARANTEE
- [3] - 1,7KW
STOCK COVERS GUARANTEE

No.	Part No.	Qty.	Description	Part Note
01	128500071	1	G4 SPRAY HANDLE W.SOFT	
01	6520844	1	CLEANING TOOL, BLACK	
01	126481115	1	POWERSPEED	
01	128500074	1	G4 C&C SPRAY LANCE LONG	
01	126481117	1	PR TORNADO	
01	128500077	1	C&C FOAMSPRAYER WITH BOTT	
01	128500080	1	8M STANDARD HOSE	
