

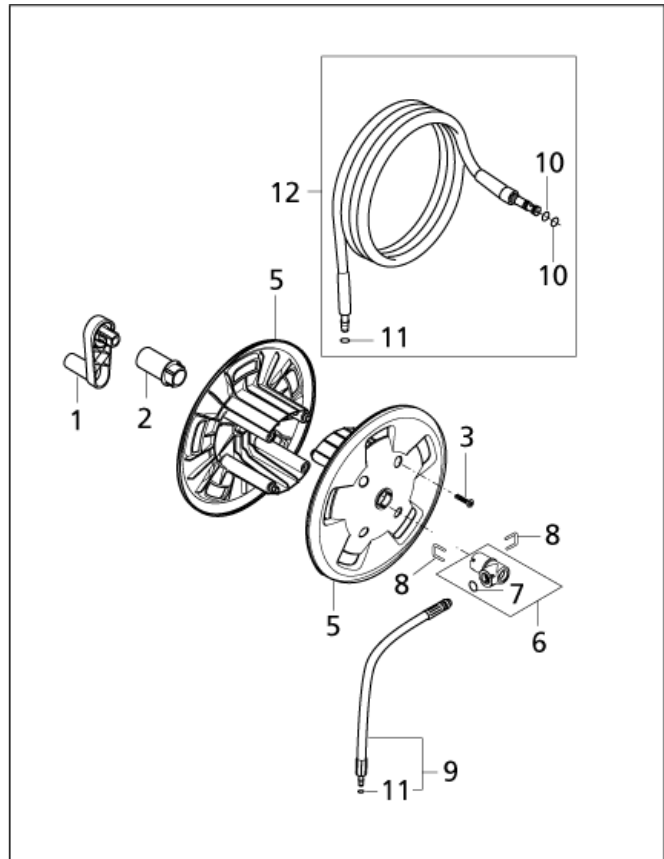
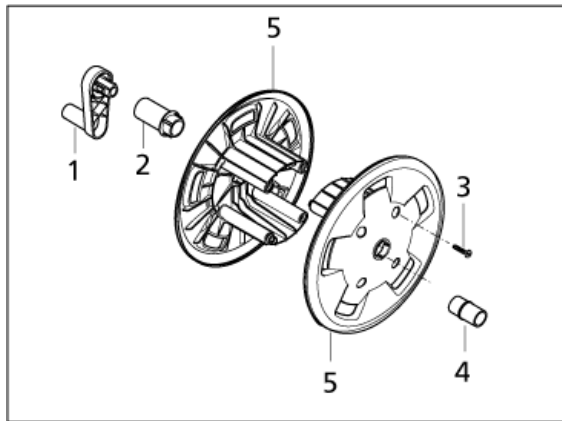
PARTS LIST



2020.02.02

TABLE OF CONTENTS

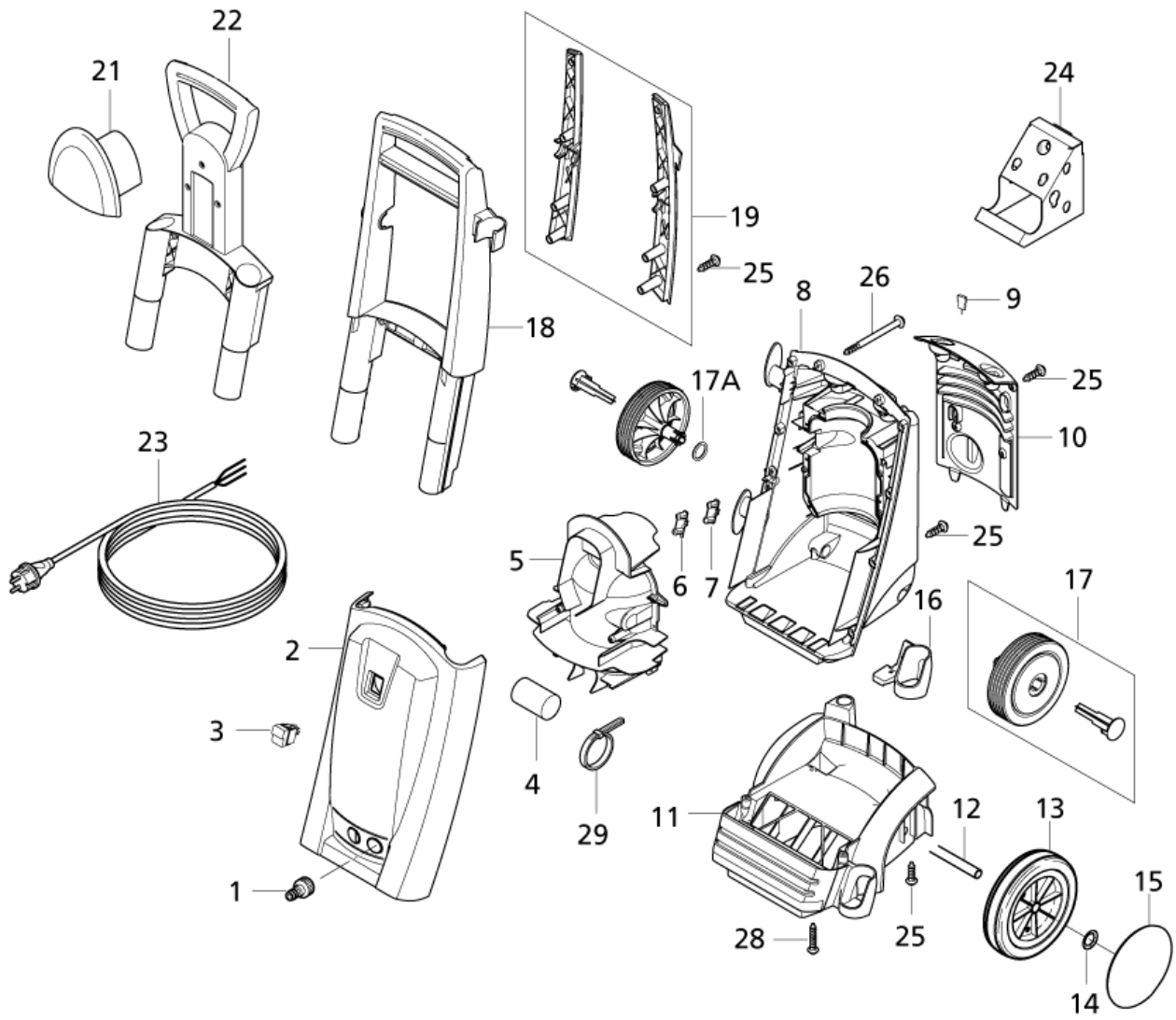
Hose reel	1
Overview	3
Spray handle and hose 2007	5
Motor pump	7
PATIO CLEANER	9



No.	Part No.	Qty.	Description	Part Note
1	6528569	1	HOSE REEL HANDLE	
2	6528571	1	ADAPTOR	[1]
3	107141838	4	SCREW K50X18 WN1451	
4	126486736	1	ADAPTOR FOR HOSE REEL	[2]
5	126486719	1	HOSE REEL HALF PART	
6	6127006	1	CONNECTOR P12427 REP. KIT	
7	3002144	1	O-RING 14.3X2.4 NITRIL	
8	6526487	2	LOCK BRACKET SS	
9	126486735	1	CONNECTION HOSE FOR HOSE	[1]
10	3004321	2	O-RING	
11	3004304	1	O-RING	
12	128500081	1	HOSE TEXTILE 9M XTRA	

Part Notes:

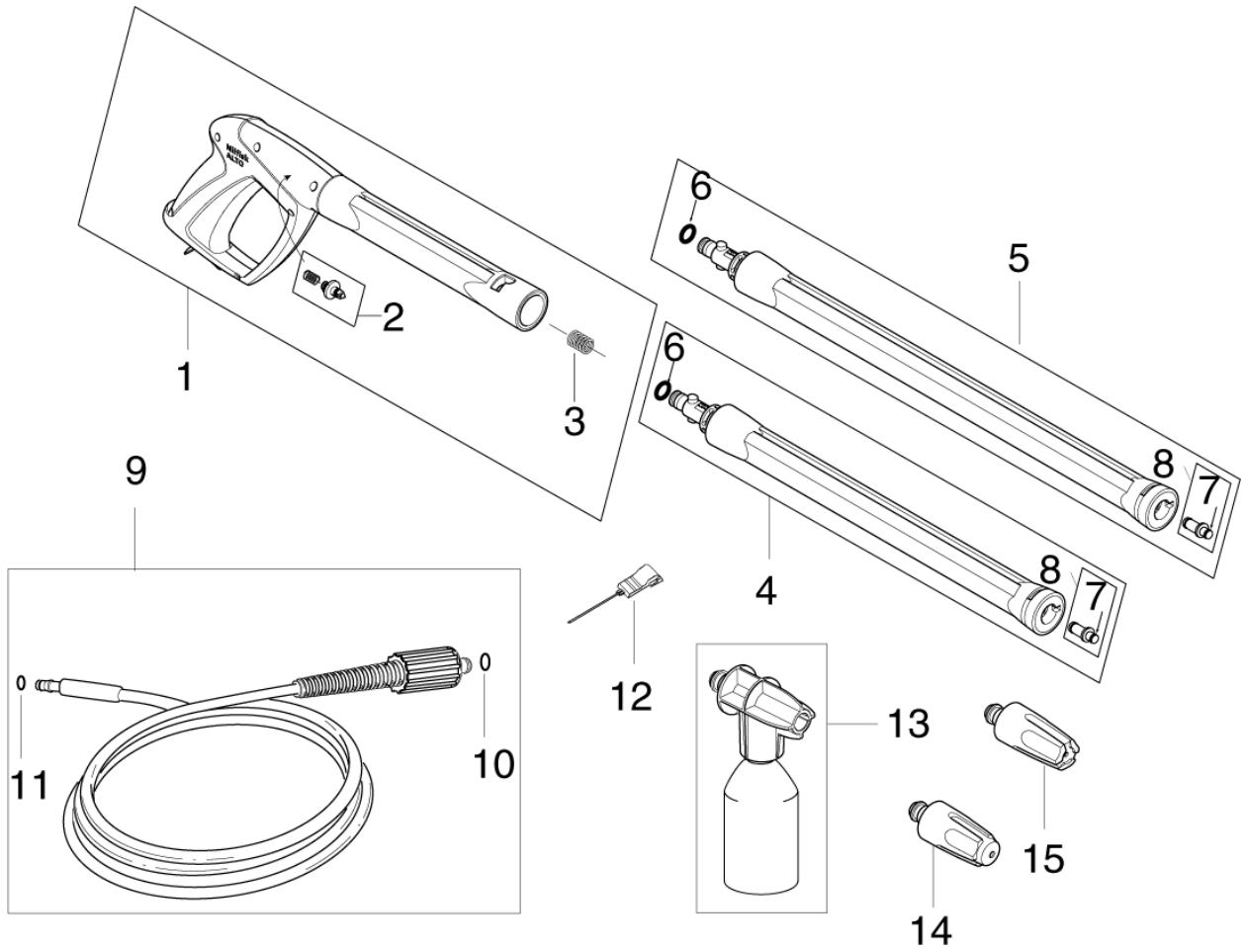
- [1] - STOCK COVERS GUARANTEE
- [2] - NO LONGER AVAILABEL



No.	Part No.	Qty.	Description	Part Note
1	1402809	1	QUICK COUPLING MALE W.	
2	126526277	1	CABINET FRONT	[1]
3	61887	1	ON/OFF SWITCH	[1]
4	128307028	1	KIT CAPACITOR 25UF 500V	[1]
5	126486704	1	MOTOR PUMP COVER	[1]
6	126486726	1	PULL RELIEF 6-2	[1]
7	126486727	1	PULL RELIEF 9-2	[1]
8	126486707	1	CHASSIS	[1]
9	6520844	1	CLEANING TOOL, BLACK	
10	126486712	1	CHASSIS REAR COVER	[2]
11	126486708	1	TROLLEY LOWER PART	[1]
12	126486725	1	AXLE FOR WHEELS	[2]
12A	6486774	1	BACK-UP RING WHEEL,KIT 2	[3]
13	6526560	2	WHEEL	[1]
14	1814657	2	LOCK WASHER	[1]
15	126526278	2	WHEEL CAP SUPER GREEN	[1]
16	126486723	1	LOWER LANCE HOLDER	[2]
17	126486709	2	SIMPLE WHEEL AND LOCK	[2]
18	126486717	1	TROLLEY HANDLE LARGE	[1]
19	126486716	1	COVER FOR HANDLE RIGHT &	[1]
21	126486715	1	HOSE HOOK FRONT	[1]
22	126486713	1	TROLLEY HANDLE SMALL	[1]
23	126481779	1	CABLE WITH PLUG	[1]
24	106411386	1	WALL HOOK STORAGE	
25	107141838	14	SCREW K50X18 WN1451	
26	1814733	2	SCREW K50X50 TORX BLACK	[1]
28	128500595	2	SCREW K50X35 WN1452	
29	1800416	1	CABLE TIE 4.8 X188 PA6.6 BLACK	[1]

Part Notes:

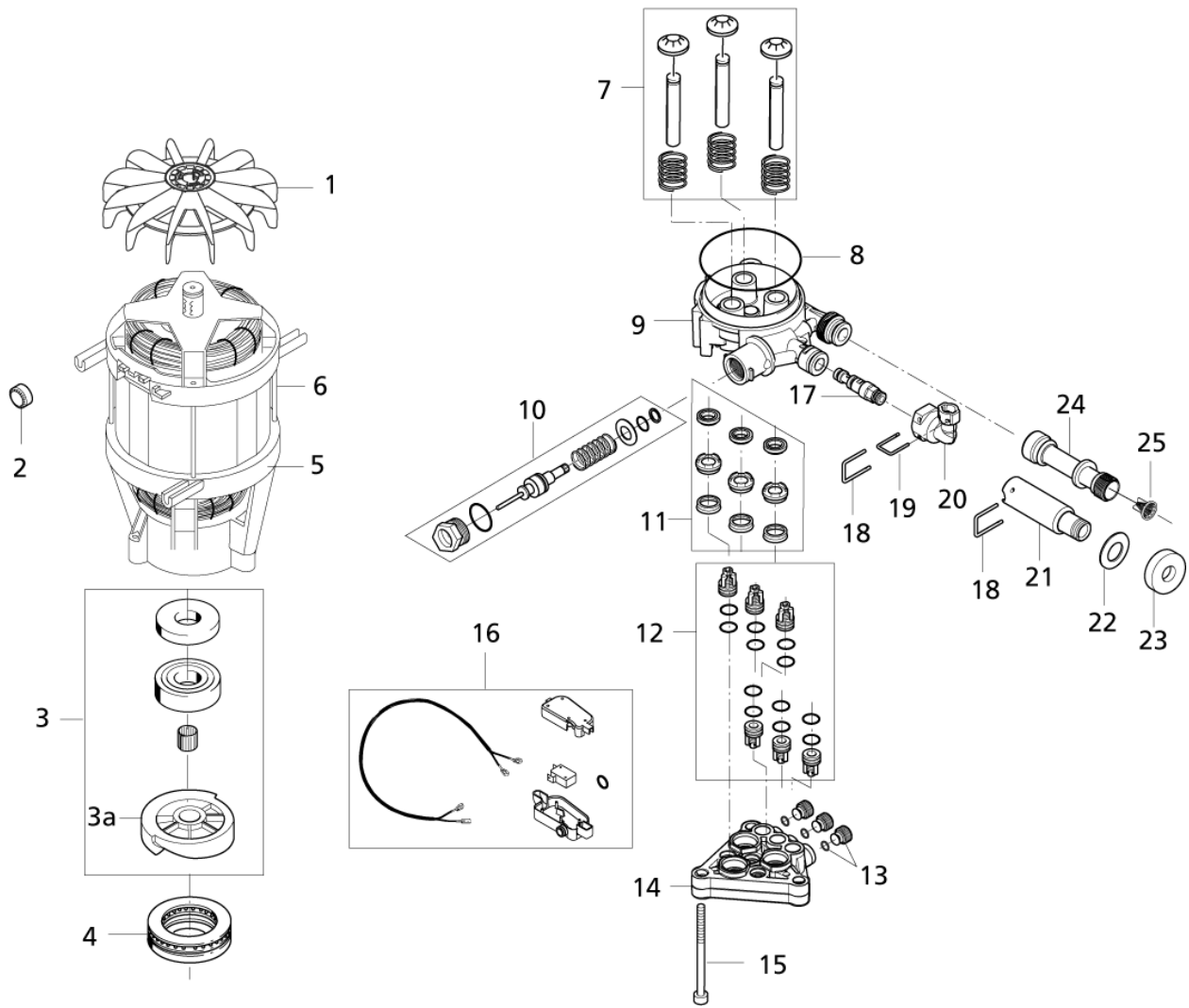
- [1] - STOCK COVERS GUARANTEE
- [2] - NO LONGER AVAILABEL
- [3] - GUARANTEE DATE EXPIRED



No.	Part No.	Qty.	Description	Part Note
1	126481132	1	G3 GUN WITH INTERMEDIATE	
1	128500071	1	G4 SPRAY HANDLE W.SOFT	
2	126481133	1	KIT F.G3 GUN SPRING &	
3	2602500	1	SPRING	
4	126481134	1	G3 LANCE COMPLETE	[1]
5	128500074	1	G4 C&C SPRAY LANCE LONG	[2]
6	126481125	1	O RING F LANCES	
7	3004312	1	O RING	
8	126481109	1	LOW PRESSURE NOZZLE	
9	126481138	1	HOSE 6M	
9	126481140	1	HOSE 9M	
9	128500082	1	10M SUPERFLEX HOSE	
9	126481141	1	HOSE 10M	
9	128500080	1	8M STANDARD HOSE	
10	3001211	1	O-RING 9.6X2.4 NITRIL 70	
10	6411218	1	BAG WITH 10 O-RINGS 30012	
11	3004304	1	O-RING	
12	6520844	1	CLEANING TOOL, BLACK	
13	128500077	1	C&C FOAMSPRAYER WITH BOTT	
14	126481115	1	POWERSPEED	
15	126481116	1	PR TORNADO YELLOW	
15	126481118	1	PR TORNADO	
15	126481117	1	PR TORNADO	

Part Notes:

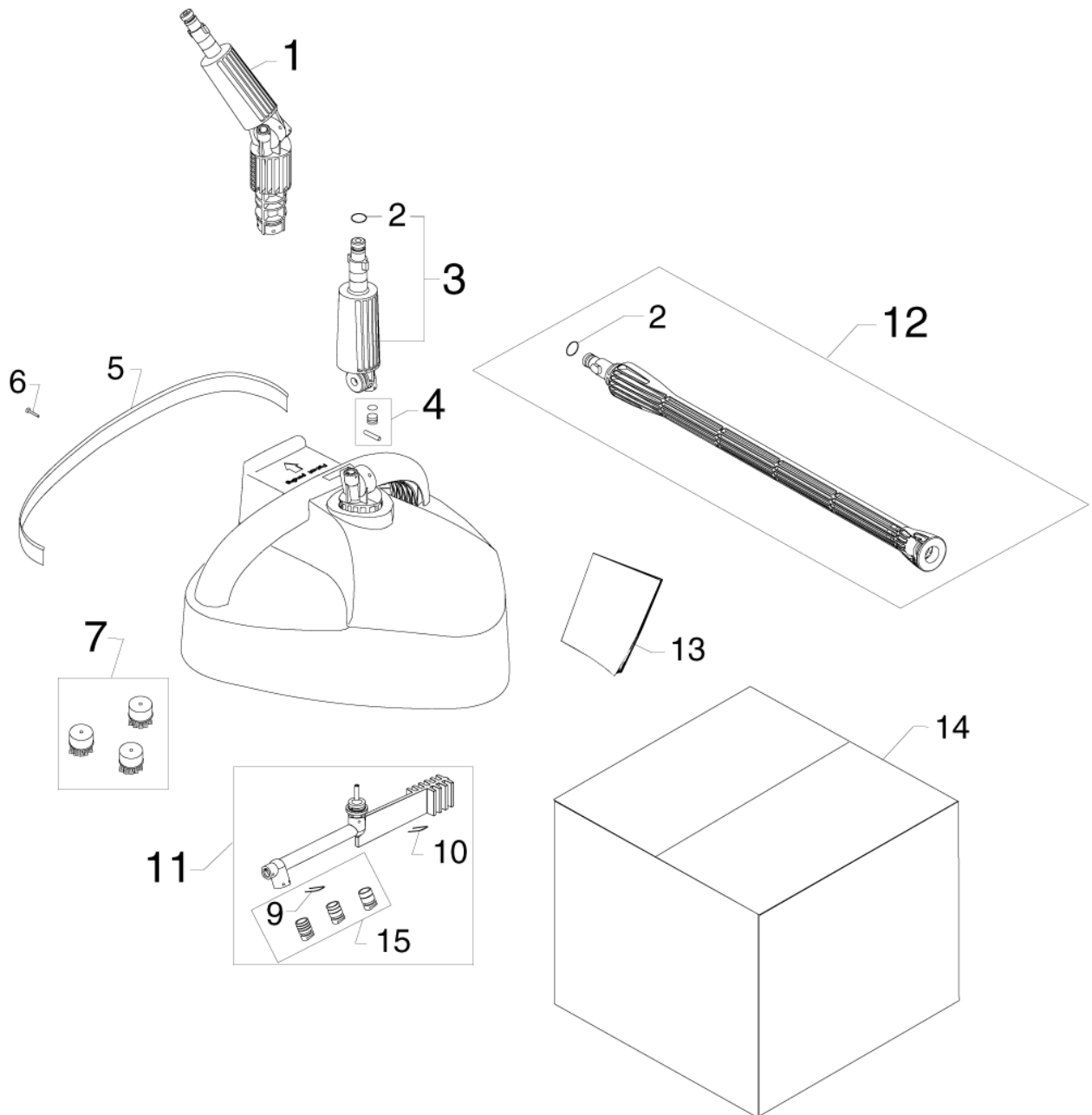
- [1] - CLASSIC
- [2] - SUPER



No.	Part No.	Qty.	Description	Part Note
1	6524042	1	FAN	[1]
2	128332334	3	RACK FOR MOTOR	
3	6526051	1	REP KIT WOBBLE DISC 140 B	[2]
3A	6125126	1	WOBBLE DISC	[1]
4	6122653	1	REP. KIT, BEARING	[1]
5	6524014	1	MOTOR 230/50 & 220/60 2.1	[2]
6	106526209	3	STUD	[1]
7	126486796	1	REP. KIT PISTON	[1]
8	3003654	1	O-RING 80X2 NITRIL 70	
9	6525598	1	CYLINDER BLOCK	[3]
10	6526254	1	AUTO START/STOP VENTIL	
11	6526018	1	REP.KIT SEALING SYSTEM	
12	6526026	1	VALVE SYSTEM REPAIRE KIT	
13	6526252	1	PLUG KIT 3 PCS	[1]
14	6525592	1	CYLINDER HEAD	[1]
15	1814597	3	CYLINDER SCREW M8X70	
16	126486793	1	S/S MICRO SWITCH WITH	[1]
17	6526253	1	INJECTOR COMPL.	
18	6528458	1	LOCK BRACKET	[1]
19	6525619	1	LOCK BRACKET. SMALL	
20	126486791	1	WATER OUTLET FOR HOSE	
21	126486794	1	WATER OUTLET	[1]
22	1803196	1	PLAIN DISK M20	[1]
23	126486792	2	FOAM SEAL FOR OUTLET &	
24	126486705	1	WATER INLET PIPE	[1]
25	6528574	1	WATER FILTER COMPLETE.	

Part Notes:

- [1] - STOCK COVERS GUARANTEE
- [2] - GUARANTEE DATE EXPIRED
- [3] - NO LONGER AVAILABLE



No.	Part No.	Qty.	Description	Part Note
0-	126412500	1	PATIO CLEANER	[1]
1	106411162	1	KNUCKLE JOINT COMPLETE	[2]
2	3004279	1	O-RING 9.3X2.4 SH 90	
3	6411161	1	SWIVEL JOINT COMPLETE	[3]
4	6411732	1	KIT PLUG.PIN&O-RING	[2]
5	6411579	1	RUBBER SEAL	[2]
6	1814665	1	BLIND RIVET SAMSON	[2]
7	6411733	1	REP.KIT BRUSH X 3	
8	6411214	1	NOZZLES COMPLETE	[2]
9	6411550	1	LOCK BRACKET	[2]
10	6411552	1	LOCK BRACKET	
11	106411744	1	ROTOR ARM, COMPLETE(REPLA	[2]
12	6410595	1	SPRAY LANCE W O/RING	[4]

Part Notes:

- [1] - GERNI ACC. OUTPH. 2006
- [2] - STOCK COVERS GUARANTEE
- [3] - GUARANTEE DATE EXPIRED
- [4] - NO LONGER AVAILABLE

