

Gerni

Super 130.3
Super 135.3
Super 145.3 Works
Super 150.3
Super 160.3 Works



User Guide



The instruction consists of 4 parts. Part 1:3 Safety Instructions. Part 2:3 User Guide. Part 3:3 Troubleshooting, Technical Data and Disposal. Part Warranty Conditions.

Part 1:3 - Safety Instructions



Before first use of the machine, read the instructions carefully. Save instructions for later use.



Safety instructions marked with this symbol must be observed to prevent personal injury or serious damage to property.

WARNING

⚠ This machine has been designed for use with cleaning agents supplied or recommended by Gerni. The use of other cleaning agents or chemicals may adversely affect the safety of the machine.

⚠ High pressure jets can be dangerous if subject to misuse. The jet must not be directed at persons, live electrical equipment or the machine itself.



⚠ Do not use the machine within range of persons unless they wear protective clothes.

⚠ Do not direct the jet against yourself or others in order to clean footwear.

⚠ Risk of explosion – Do not spray flammable liquids.

⚠ High pressure washers shall not be used by children or untrained personnel.

⚠ High pressure hoses, fittings and couplings are important for the safety of the machine. Use only hoses, fittings and couplings recommended by Gerni.

⚠ To ensure machine safety, use only original spare parts recommended by Gerni.

⚠ Water that has flown through back-flow preventers is considered to be non-potable.

⚠ Don't use the machine if a supply cord or important parts of the machine are damaged, e.g. safety devices, high pressure hoses, trigger gun.

⚠ Inadequate extension cords can be dangerous. If an extension cord is used, it shall be suitable for outdoor use, and the connection has to be kept dry and off the ground. It is recommended that this is accomplished by a cord reel which keeps the socket at least 60 mm above the ground.

⚠ Switch off and unplug the machine when leaving it unattended, when finished using it or when con-

verting it to another function, when doing repair and maintenance.

⚠ During use of high pressure washers, aerosols may be formed. Inhalation of aerosols can be hazardous to health, for the protection against aerosols a respiratory mask of class FFP 2 or equivalent may be needed, depending on the cleaning environment.

Intended Use and Terms of Liability

- The Super-series have been developed for domestic cleaning purposes only and for use in an upright position. Any other use is considered as improper use.
- A high pressure washer operates with different levels of pressure and cleaning detergents for various cleaning tasks and results. Always follow instructions on detergents for use, emergency and disposal.
- Do not operate the machine at temperatures below 0°C. Never start a frozen machine, never use it indoor and never cover it during use. This is considered improper and wrongful use. Use of wrongful pressure, detergent and/or applications may cause damage to machine, surfaces, material and devices.

All of the above is considered improper and wrongful use. Gerni accepts no liability for any damage resulting from any improper or wrongful use.

Safety devices and their functioning

The machine automatically stops when releasing the trigger. The machine will start again when re-activating the trigger. The spray handle features a locking device. When activated, the spray handle cannot be operated.

The machine has an automatic self-resetting thermal protector. If the machine is overheated, the thermal protector will cut the power supply. In this case, wait for the machine to cool down. An integrated hydraulic safety valve protects the system from excessive pressure.

Precautions

The electric supply connection shall be made by a qualified electrician and comply with IEC 60364-1. It is recommended that the electric supply to this machine should include either a residual current device that will interrupt the supply if the leakage current to earth exceeds 30 mA for 30 ms or a device that will prove earth circuit.

- Use motor start/delayed fuses with characteristic C or D according to IEC/EN 60898-1 / IEC 947-2 or corresponding standards outside IEC.

- If the supply cord is damaged, it must be replaced by an authorized Gerni distributor or similar qualified person in order to avoid a hazard.
- No actions needed for adjusting machines marked with dual voltage and frequency.
- Supervise children not to play with the machine.
- The operator and any one in the immediate vicinity of the site for cleaning should take action to protect oneself from being struck by debris dislodged during operation.
- Always wear safety boots, respiratory mask, ear protection, goggles and protective clothing during operation.
- The high pressure generated by the machine is a particular source of danger. Hold the spray lance firmly with both hands. The spray lance is affected by a kickback force and a sudden torque during operation.
- See PART 3:3 for the actual size of the kickback force.
- During transportation: Position the machine horizontally on the backside and secure with straps.
- High pressure washers shall not be used nor maintained by children or untrained people or people with reduced physical, sensory or mental capabilities or lack of experience and knowledge.


Part 2:3 - User Guide

Provides a general overview of the machine and operation elements along with illustrated sections on preparation, operation, water connection, storage, and user maintenance.

A Unpacking and preparing for use

Follow illustrations in A.

B Connection to potable water mains

 High pressure washers are not suitable for connection to the potable water mains. Always check national regulations before connecting the machine to potable water mains and use a back-flow preventer if required.

- Use ½" garden hose, 10-25 m.
- Follow illustrations in B.

C Connection to other water sources

You can connect the machine to e.g. rain water vessels, rivers, lakes and cisterns etc. and operate it in suction mode. Follow illustrations in C.

D Pairing of spray handle and machine

Not relevant.

E Leaving the machine unattended > 5 min.

 See listed warnings. Follow the illustrations in E.


F After use and storage

After use always: Turn off the machine. Empty machine and accessories of water to avoid frost damage. Remove the plug from socket. Disconnect water inlet hose. Wind up electrical cable and high pressure hose to avoid damage of cable, high pressure hose and fittings. Storage of machine shall be frost free.

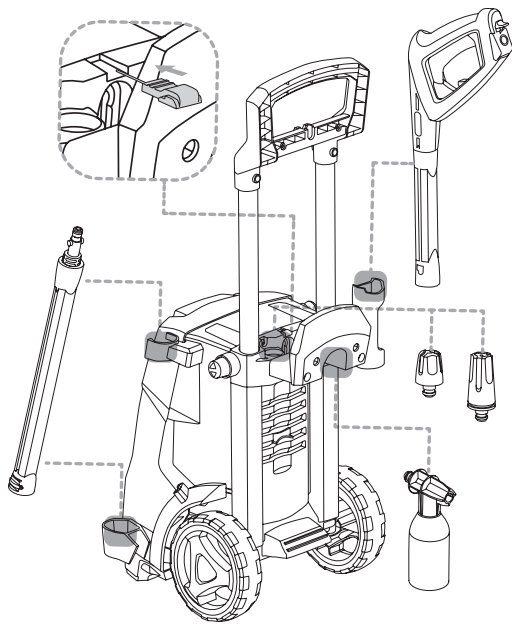
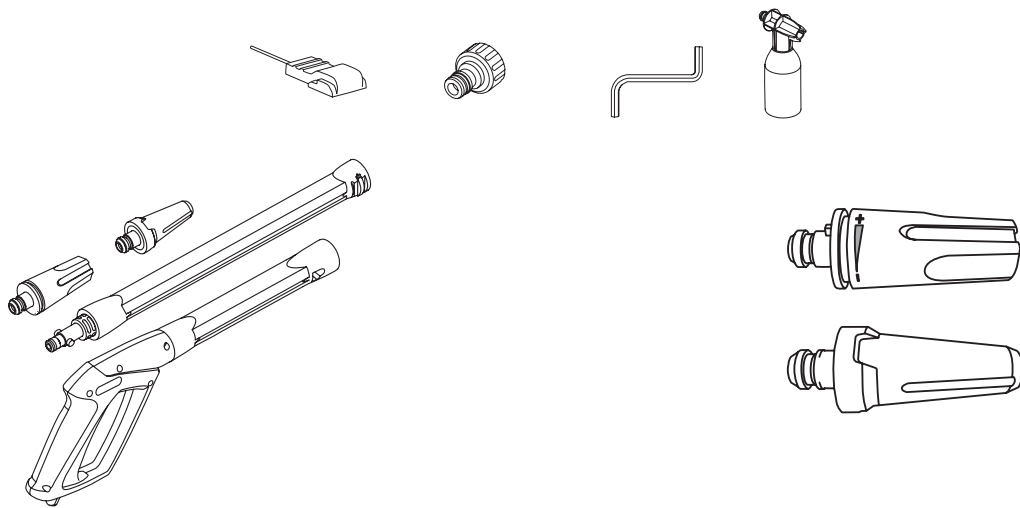
- Follow illustrations in F.

G Maintenance, inspection and repair

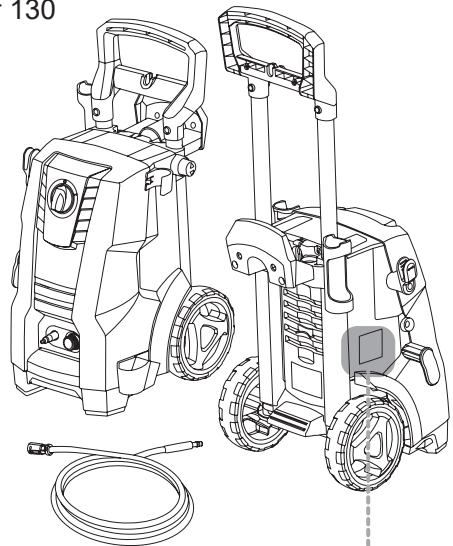
Maintenance of the machine should always be done when starting up after long time of storage.

 Before use, always inspect the machine and equipment for damages. In case of damages, act according to listed warnings.

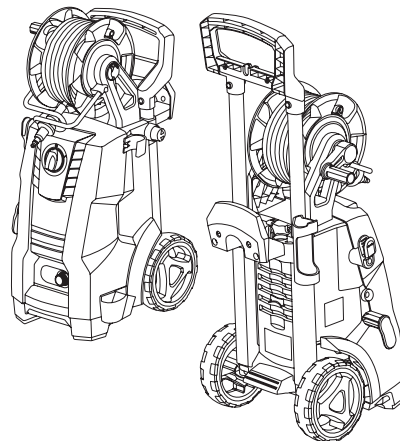
- Do not attempt any maintenance not described in the instructions. If the machine refuses to start, stops, pulsates, pressure fluctuates, motor buzzes, fuse blows or no water comes out, check Part 3.3 Troubleshooting.
- User maintenance according to illustrations in G.



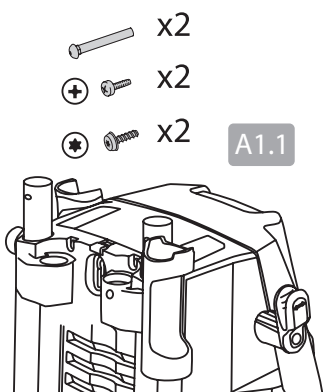
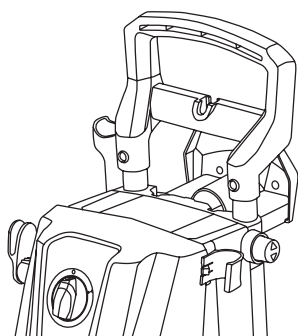
Super 130



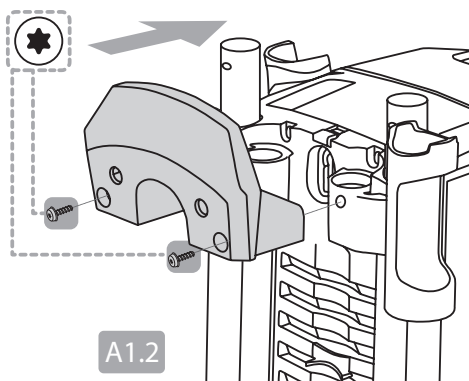
Super 135
Super 145 Works
Super 150
Super 160 Works



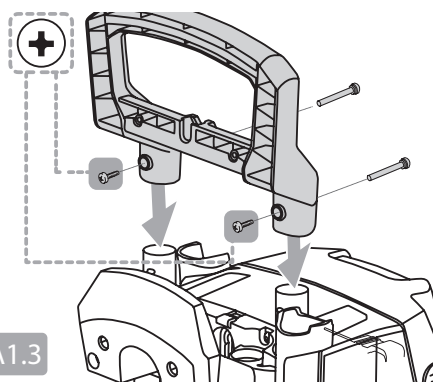
A



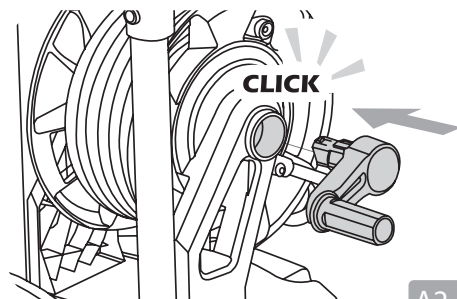
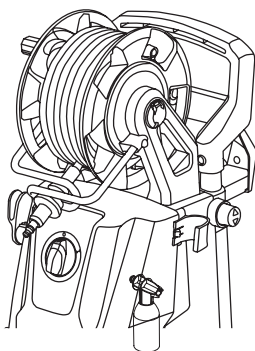
A1.1



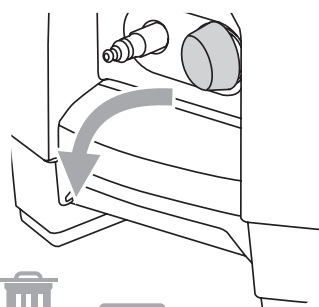
A1.2



A1.3

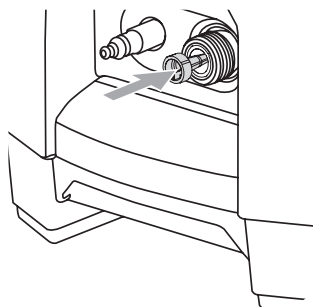


A2.1



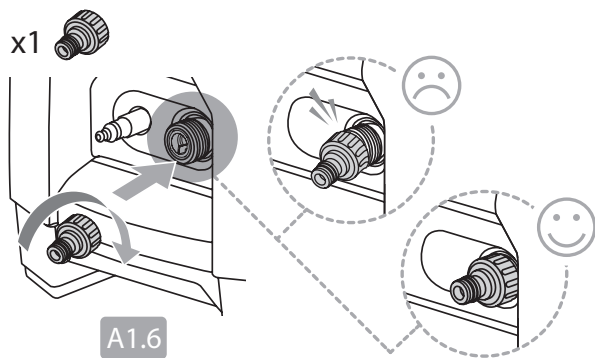
A1.4

A2.2



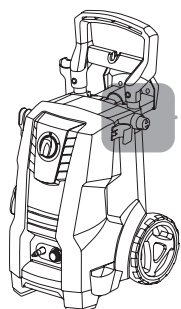
A1.5

A2.3

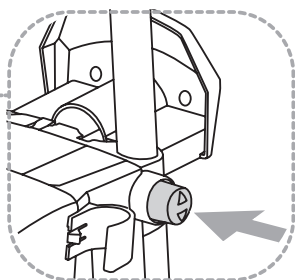


A1.6

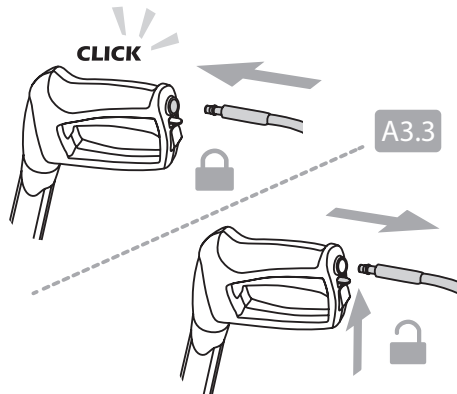
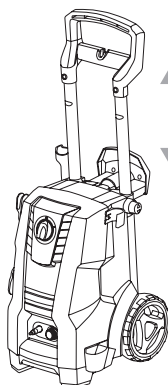
A2.4



A3.1

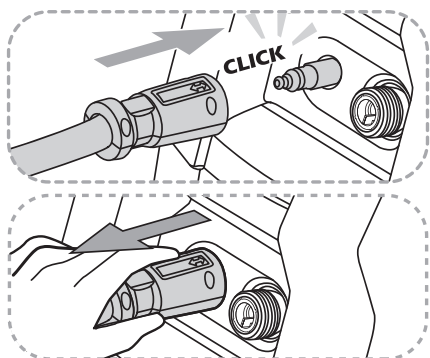


A3.2

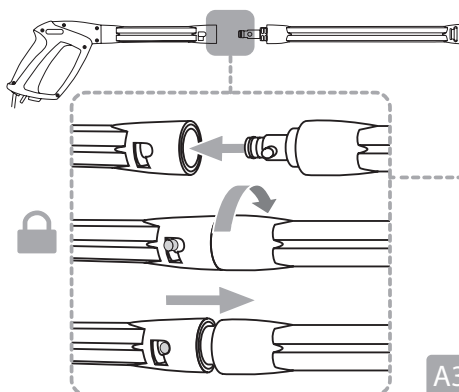


A3.3

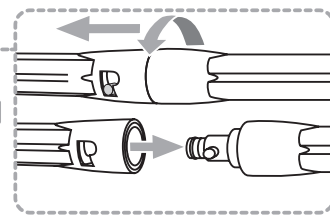
A



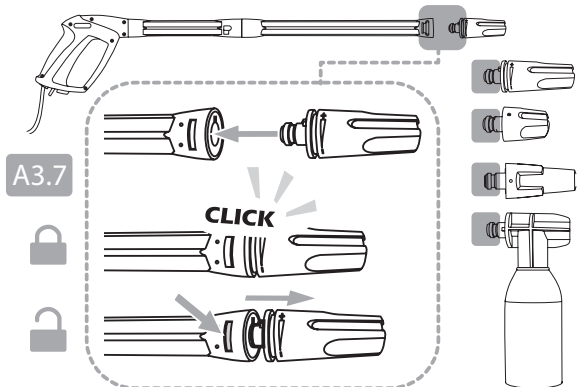
A3.4



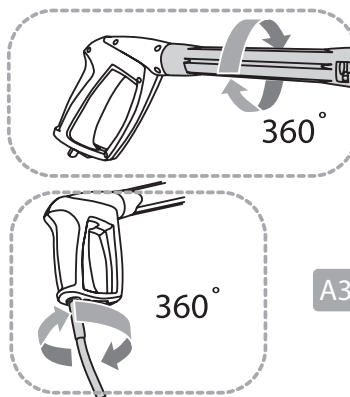
A3.5



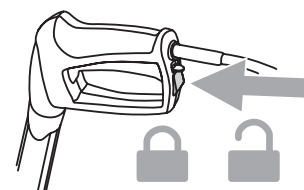
A3.6



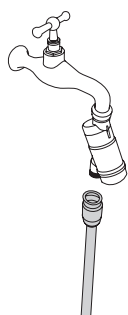
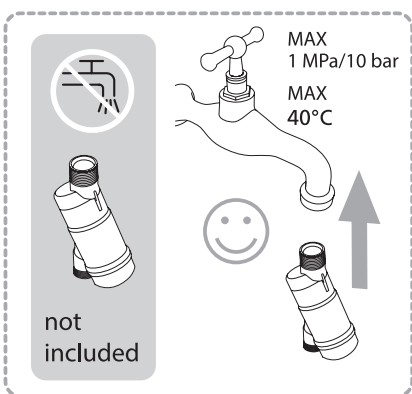
A3.7



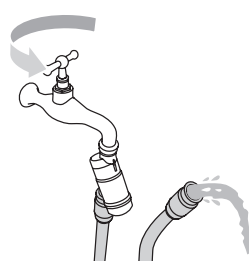
A3.8



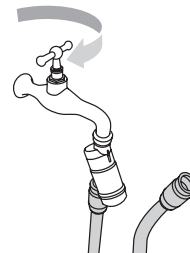
B



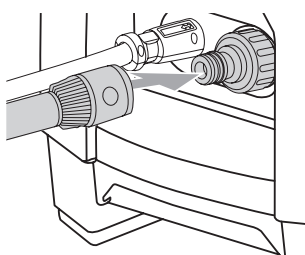
B1.1



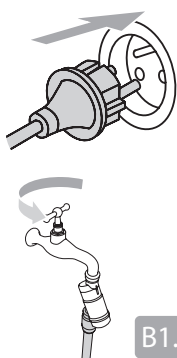
B1.2



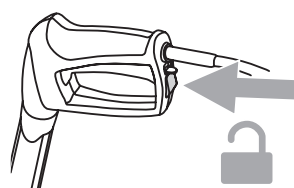
B1.3



B1.4

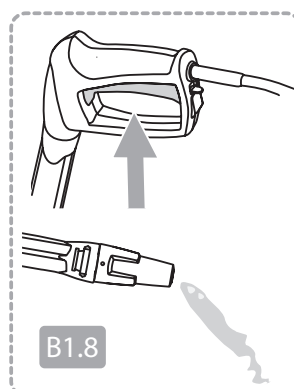


B1.5



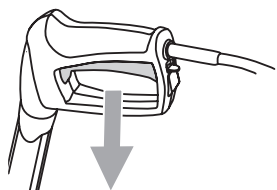
B1.6

B1.7

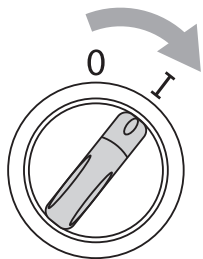


B1.8

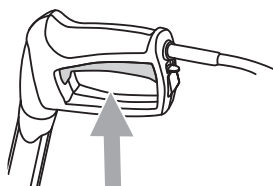
B



B1.9



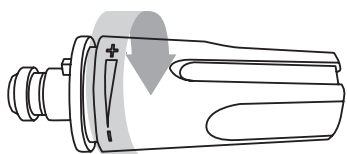
B1.10



B1.11

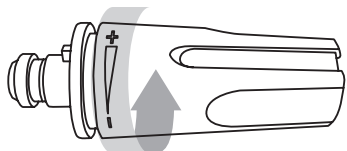


B1.12

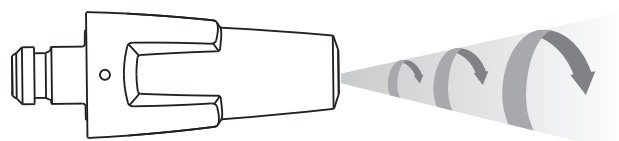


MPa
bar

B2.1



MPa
bar



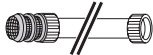
B2.2



C

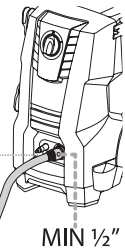


MAX 3m

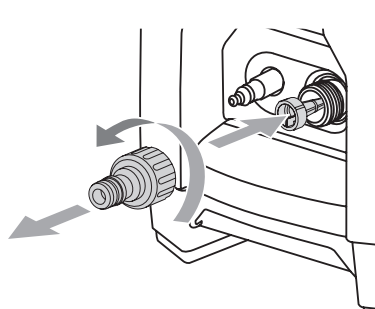
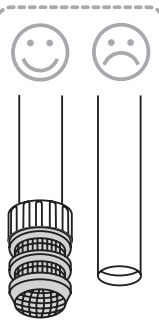


MAX 1m

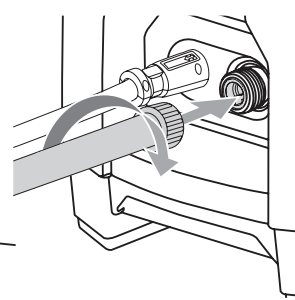
MAX 20°C



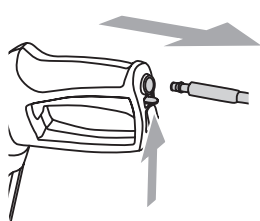
MIN 1/2"



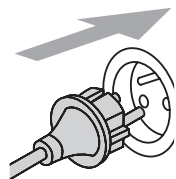
C1.1



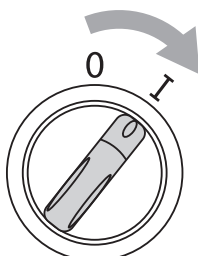
C1.2



C1.3



C1.4



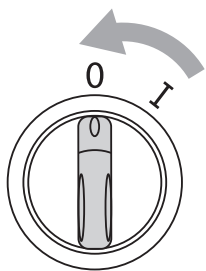
C1.5

MAX 2min

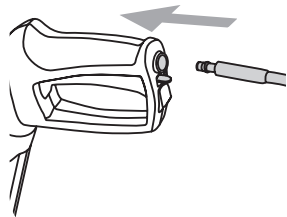


C1.6

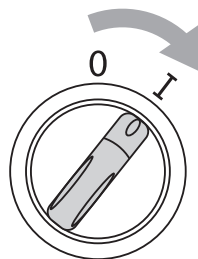
C



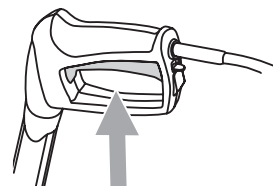
C1.7



C1.8



C1.9



C1.10



C1.11

D

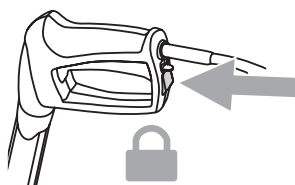


Not relevant

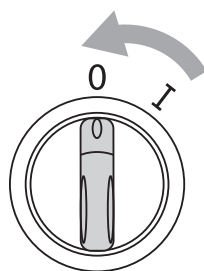
E



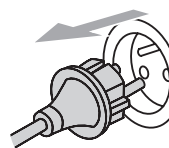
>5min



E1.1



E1.2

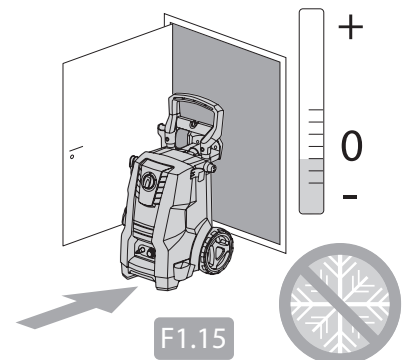
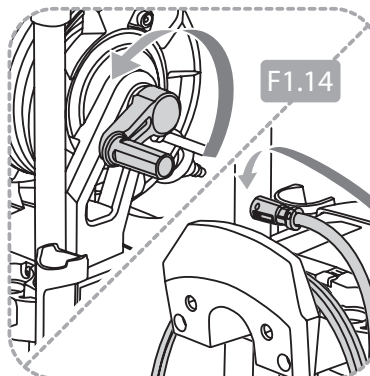
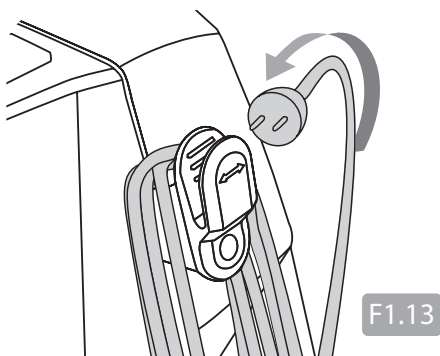
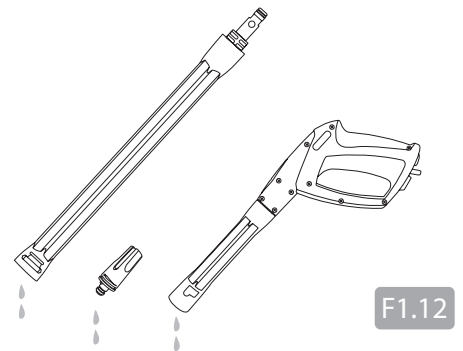
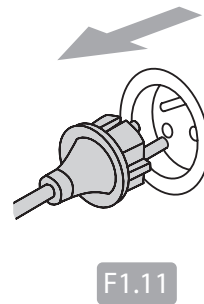
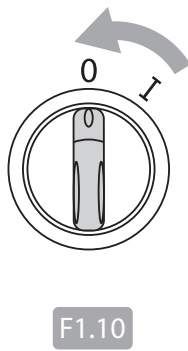
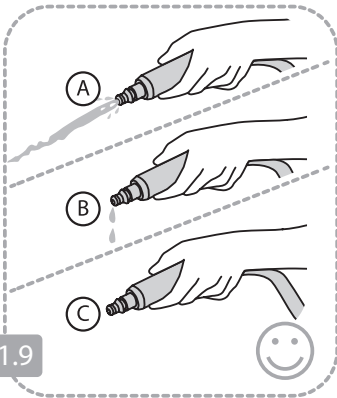
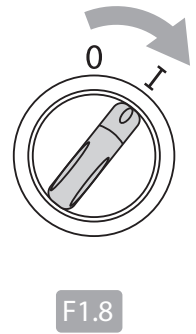
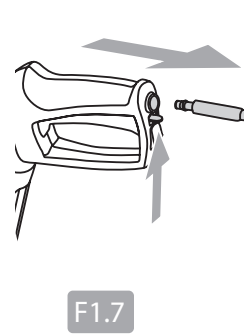
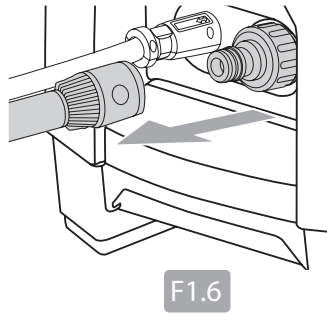
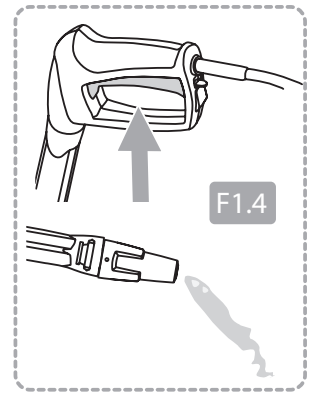
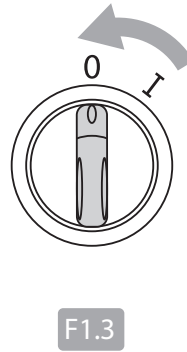
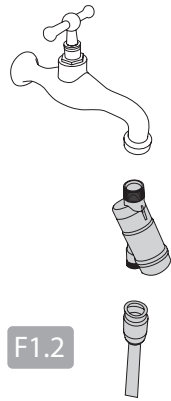
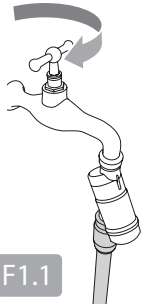


E1.3



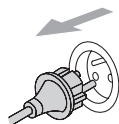
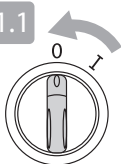
E1.4

F

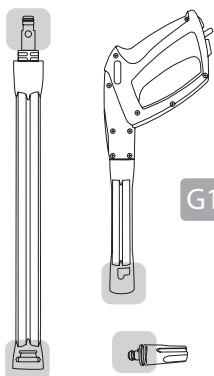




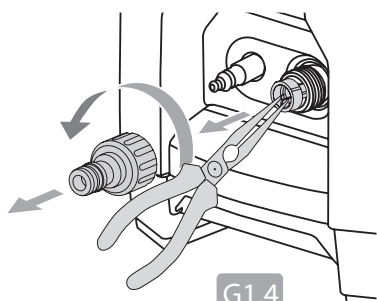
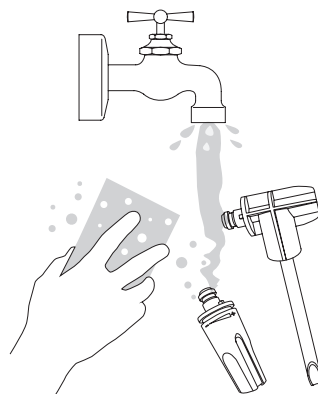
G1.1



G1.2



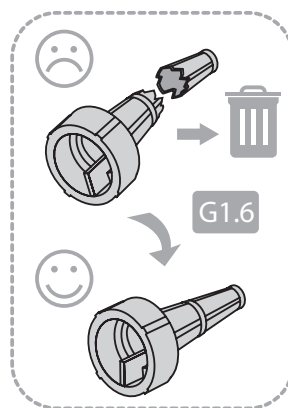
G1.3



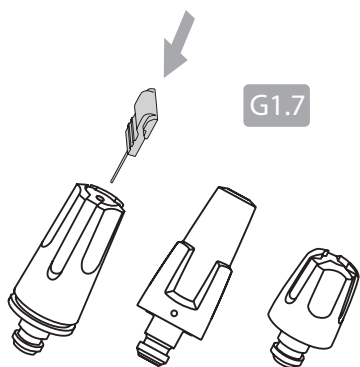
G1.4



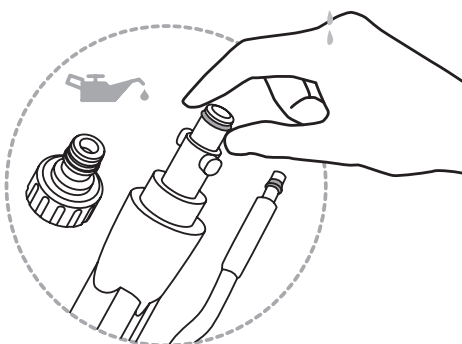
G1.5



G1.6

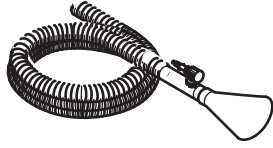


G1.7





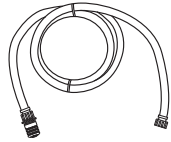
128500382
Water
Suction Kit



128470462
Rim Brush Head



128500671
Inlet Water
Suction Hose 3 m



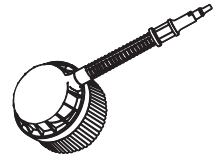
128500461
Garden Brush Head



128500385
Click&Clean
Auto Brush



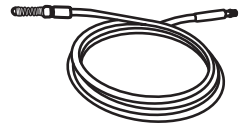
128500380
Rotary Brush



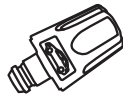
128500386
Click&Clean
Underchassis Nozzle



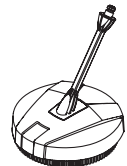
28500388
Drain & Tube
Cleaner - 15 m



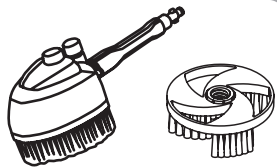
128500387
Click&Clean
Auto Nozzle



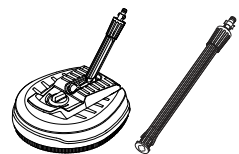
128500701
Classic Patio



128470460
Multi Brush
(incl. car brush head)



128500976
Power Patio



128500464
Car Brush Head



Part 3:3 - Troubleshooting, Technical Data and Disposal

Troubleshooting

To avoid unnecessary disappointments, you should check the following before contacting the Gerni service organization.

Symptom	Cause	Recommended action
Machine refuses to start	Machine not plugged in Defective socket Fuse has blown Defective extension cable	Plug in machine Try another socket. Replace fuse. Switch off other machines. Try without the extension cable.
Fluctuating pressure	Pump sucking air Valves dirty, worn out or stuck Pump seals worn out	Check that hoses and connections are airtight. Contact your local Gerni Service centre. Clean and replace or refer to local Gerni distributor.
Machine stops	Fuse has blown Incorrect mains voltage Thermal sensor activated Nozzle partially blocked	Replace fuse. Switch off other machines. Check that the mains voltage corresponds to specification on the model tag. Leave the washer for 5 minutes to cool down. Clean the nozzle (see Part 2.3 User Guide, G)
Fuse blows	Fuse too small	Change to an installation higher than the amp. consumption of the machine. You may try without the extension cable.
Machine pulsating	Air in inlet hose/pump Inadequate supply of mains water Nozzle partially blocked Water filter blocked Hose kinked	Allow machine to run with open trigger until regular working pressure resumes. Check that the water supply corresponds to specifications required (see model tag) NB! Avoid using long, thin hoses (min. 1/2") Clean the nozzle (see Part 2.3 User Guide, G) Clean the filter (see Part 2.3 User Guide, G) Straighten out hose.
Machine often starts and stops by itself	Pump/spray handle is leaking	Contact your nearest Gerni Service Centre.
Machine starts, but no water comes out	Pump/hoses or accessory frozen No water supply Water filter blocked Nozzle blocked	Wait for pump/hoses or accessory to thaw. Connect inlet water. Clean the filter (see Part 2.3 User Guide, G) Clean the nozzle (see Part 2.3 User Guide, G)

In case problems other than the above occur, please phone 1300 733 171 or check our website www.gerni.com.au for your nearest service agent.

Technical Data

		Super 130.3	Super 135.3	Super 145.3 Works	Super 150.3	Super 160.3 Works
Electric specifications	U _{nom}	230-240 V				
	f _{nom}	50 Hz				
	P _{nom}	2.1 kW	2.0 kW	2.1 kW	2.3 kW	2.3 kW
	I _{nom}	9 A	9 A	10.5 A	10A	10.5 A
Protection Class	Class I / Class II	Class I				
Protection degree	IP XX	IP X5				
Hydraulic specifications	p _{nom}	12.5 MPa / 125 bar	12.5 MPa / 125 bar	14.0 MPa / 140 bar	14.5 MPa / 145 bar	14.5 MPa / 145 bar
	p _{max}	13.0 MPa / 130 bar	13.5 MPa / 135 bar	14.5 MPa / 145 bar	15.0 MPa / 150 bar	16.0 MPa / 160 bar
	Q	7.5 l/min / 450 l/h	7.5 l/min / 450 l/h	6.7 l/min / 402 l/h	6.7 l/min / 410 l/h	6.7 l/min / 410 l/h
	Q _{max}	8.3 l/min / 500 l/h				
Max. water inlet pressure	P _{inlet max}	1 Mpa / 10 bar				
Max water inlet temperature	t _{inlet max}	40° C				
Max water inlet temp. suction mode	t _{inlet max}	20° C				
Kick-back force	F _{kickback}	< 20N				
Weight	M _{machine}	18 kg	18.6 kg	22.1 kg	20.6 kg	22.1 kg
Hand-arm vibration according to: Standard nozzle	a _{ha}	< 2.5 ± 1 m/s ²				
Sound pressure level	L _{pA} -standard	70 ±3 dB(A)				73 ±3 dB(A)
Sound power level	L _{wA} -standard	83 dB(A)				87 dB(A)

We reserve the right to make alterations.

Correct disposal of this product:



This marking indicates that this product should not be disposed with other household wastes throughout the EU. To prevent possible harm to the environment or human health from uncontrolled waste disposal, recycle it responsibly to promote the sustainable reuse of material resources. To return your used device, please use the return and collection systems or contact the retailer where the product was purchased. They can take this product for environmental safe recycling.

Warranty Conditions

Our goods come with guarantees that cannot be excluded under the Australian Consumer Law. You are entitled to a replacement or refund for a major failure and for compensation for any other reasonably foreseeable loss or damage. You are also entitled to have the goods repaired or replaced if the goods fail to be of acceptable quality and the failure does not amount to a major failure. Gerni high pressure washers for domestic use are warranted for 2 years from the date of purchase by:

AUSTRALIA: Nilfisk Pty LTd, Unit 1/13 Bessemer Street, Blacktown NSW 2148, Phone: 1300 556 710, E-mail: Warranty.au@nilfisk.com

Equipment defects covered by this warranty will be repaired or replaced by one of the service centres of the Gerni organisation. Find your local service agent here: <http://www.gerni.com.au/>. If your high pressure washer or accessories are handed in for repair, it must be followed by a description/specification of the fault, and the original purchase receipt, or a copy, must be enclosed. Packing and postage/carriage is not covered by the warranty. This warranty is provided in addition to the other rights and remedies of the purchaser under the laws in relation to the goods to which the warranty relates. Guarantee repairs are made on the following conditions:

- that defects are attributable to flaws or defects in materials or workmanship (wear and tear as well as misuse are not covered by the guarantee).
- that the directions of the instruction manual have been thoroughly observed.
- that repair has not been carried out or attempted by other than Gerni-trained service staff.
- that only original Gerni accessories have been applied.
- that the product has not been exposed to abuse such as knocks, bumps or frost.
- that only water without any impurities has been used.
- that the high pressure washer has not been used for rental nor used commercially in any other way.

Repairs not covered by the guarantee conditions will be invoiced. (i.e. malfunctions due to Causes mentioned in section Troubleshooting of Part 3:3.

Please phone 1300 733 171 (Australia) or 09 9682610 (NZ) for service or warranty assistance only after checking possible causes in Part 3:3.

AUSTRALIA:

Nilfisk Pty Ltd
Unit 1/13 Bessemer Street
Blacktown NSW 2148

Phone: 1300 556 710
E-mail: Info.au@nilfisk.com