

# Gerni 9200

WET & DRY VACUUM

## SPECIFICATIONS

VOLTAGE:	220-240V~50/60Hz
POWER:	800W
VACUUM POWER MAX.:	200mbar
AIR FLOW MAX.:	30L/s
TANK CAPACITY:	20L
LIQUID CAPACITY:	12L
HOSE:	3m
POWER OUTLET MAX.:	1200W
MAX. TOTAL POWER CONSUMPTION:	2000W
SOUND POWER:	88dB(A)
IP RATING:	IP24
WEIGHT:	8.35kg



GWDV-9200

## WARRANTY

### GERNI Warranty Process

Your goods come with guarantees that cannot be excluded under Australian Consumer Law. You are entitled to a replacement or refund for a major failure and for compensation for any other reasonably foreseeable loss or damage. You are also entitled to have the goods repaired or replaced if the goods fail to be of acceptable quality and the failure does not amount to a major failure.

GERNI – 25 Fox Drive, Dandenong South, Victoria 3175, Australia provides the following warranty in relation to your Gerni Wet and Dry Vacuum.

### DOMESTIC WARRANTY

**Definition: A machine purchased for domestic household use.**

Gerni warrants that, subject to the exclusions and limitations below, the product will be free from defects in the materials and workmanship for the duration of the warranty period from the date of purchase.

#### 2 YEAR STANDARD WARRANTY

Machines & accessories included are as follows: Gerni 3000\*, 3300\*, 3600\*, 5000\*, 9000, 9200  
\*Subject to an additional 3 year extended warranty with online registration at [www.gerni.com.au](http://www.gerni.com.au)

#### 5 YEAR STANDARD WARRANTY

Machines included are as follows: Gerni 5300\*, 7000\*, 7300\*

\*Subject to an additional 2 year extended warranty with online registration at [www.gerni.com.au](http://www.gerni.com.au)

#### 2 YEAR STANDARD WARRANTY

All Gerni accessories are subject to a 2 year standard warranty, to qualify for an exchange of your product you must have proof of purchase\*.

\*Extended warranty is not applicable to Gerni accessories and Wet & Dry Vacuums, only pressure washer machines.

### GERNI Warranty Claims

Equipment defects covered by the warranty will be repaired or replaced by one of our authorised agents within the Gerni organisation. Find your local service agent here: [www.gerni.com.au](http://www.gerni.com.au)

- If a fault occurs, the user must first take their machine to the closest Gerni Authorised Agent or to the place of purchase to be diagnosed for fault. It is important that you have the machine serial number accompanied with your proof of purchase receipt to ensure your machine is covered under warranty.
- If a fault is diagnosed and your machine is inside stated warranty period, then your machine will be repaired or replaced at no cost. If your machine is diagnosed faulty but your machine has fallen outside the stated warranty period, the cost of diagnosis or repair will be covered by the user.

### Exclusions:

- Consumables will not be covered under warranty, for example; Filters and Dust bag.
- The product has been modified, repaired, or serviced by someone other than a Gerni authorised service centre.
- The product has been used other than for the purpose to which it is designed.
- The product has been exposed to user abuse such as knocks, bumps and extreme temperatures conditions.

Gerni 25 FOX DRIVE, DANDENONG SOUTH, VICTORIA 3175, AUSTRALIA.

## ASSEMBLY

**WARNING!** Ensure the tool is turned off and disconnected from the power supply before performing any of the following operations.

## COMPONENTS

- 1 X WHEEL ASSEMBLY (2 X WHEELS, 2 X WHEEL CAPS, 2 X SPLIT PINS, 4 X WASHERS, 1 X WHEEL BAR)
- 1 X CARTRIDGE FILTER
- 1 X DUST BAG
- 1 X FOAM FILTER
- 1 X ROUND BRUSH
- 1 X CREVICE TOOL
- 1 X POWER TOOL ADAPTOR
- 1 X ANGLED EXTENSION
- 1 X FLOOR TOOL
- 1 X EXTENSION WAND
- 1 X SUCTION HOSE

1 X ROUND BRUSH

1 X CREVICE TOOL

1 X POWER TOOL ADAPTOR

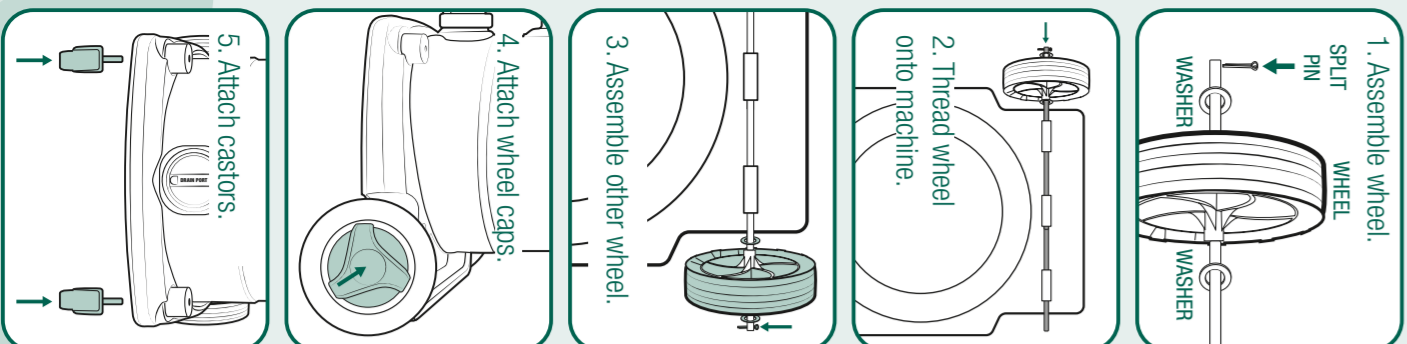
1 X ANGLED EXTENSION

1 X FLOOR TOOL

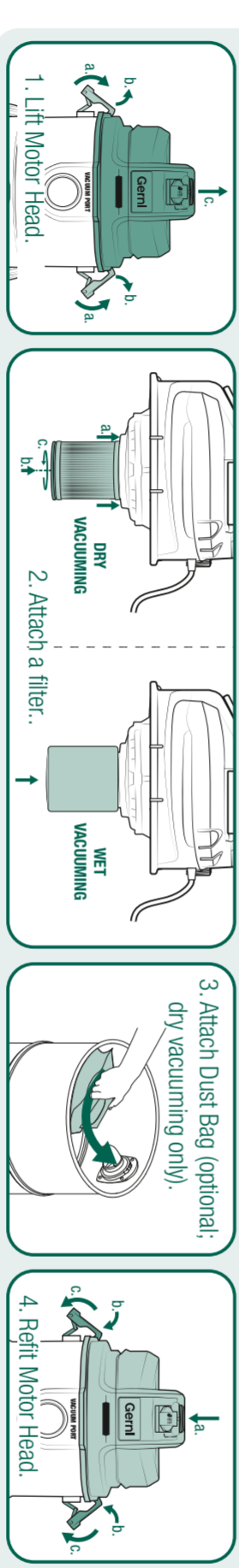
1 X EXTENSION WAND

1 X SUCTION HOSE

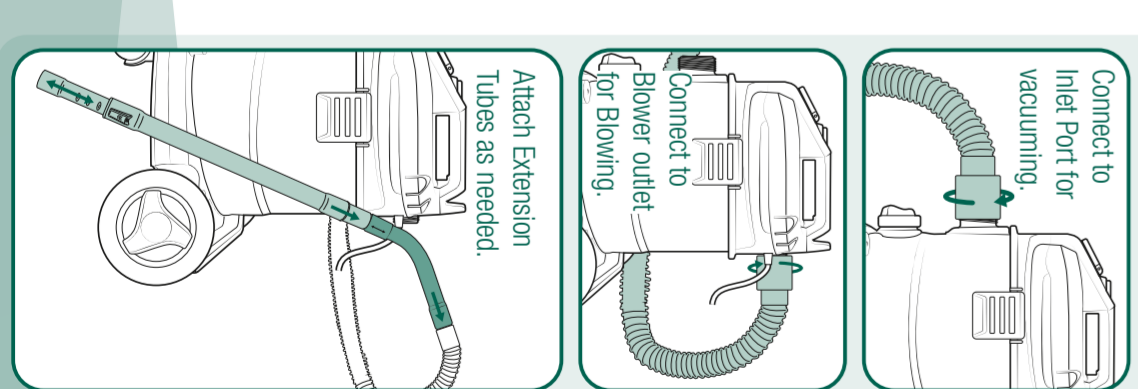
## A ATTACHING THE WHEELS



## B INSTALL A FILTER



## C ATTACH HOSE



## D FIT AN ACCESSORY

POWER TOOL ADAPTOR	ROUND BRUSH	CREVICE TOOL	FLOOR TOOL
<ul style="list-style-type: none"> <li>• Connect vac hose to power tool.</li> <li>• Multi-fit adaptor.</li> </ul>	<ul style="list-style-type: none"> <li>• Use on upholstery &amp; carpets.</li> <li>• For vacuuming solids.</li> </ul>	<ul style="list-style-type: none"> <li>• Use on corners, edges and small gaps.</li> <li>• For vacuuming solids &amp; liquids.</li> </ul>	<ul style="list-style-type: none"> <li>• Dual purpose floor tool.</li> <li>• For solids or liquids.</li> <li>• Medium to large areas.</li> </ul>

## ELECTRICAL SAFETY

- 1) Work area safety
  - a) Keep work area clean and well lit. Cluttered or dark areas invite accidents.
  - b) Do not use power tool in explosive atmospheres (e.g. near petrol tanks, petrol engines, etc.).
  - c) Do not use power tool in flammable liquids, gases or dust.
  - d) Do not use power tool in damp locations (e.g. bathrooms, etc.).
- 2) Electrical safety
  - a) Power tool plugs must match the outlet. Never modify the plug in any way. Do not use any adaptor plugs with earthed (grounded) power tools. Unmodified plugs and matching outlets will reduce the risk of electric shock.
  - b) Avoid body contact with earthed or grounded surfaces, such as pipes, radiators, ranges and refrigerators. There is an increased risk of electric shock.
  - c) Do not touch power tool parts that will become energized when the plug is inserted into the outlet.
  - d) Do not use power tool with damaged power cord. Do not use power tool with damaged power cord.
- 3) Personal safety
  - a) Stay alert, watch what you are doing and use common sense when operating a power tool. Do not use a power tool while you are tired or under the influence of drugs, alcohol or medication.
  - b) Do not use power tool in hazardous locations (e.g. near overhead power lines, etc.).
  - c) Do not use power tool in confined spaces or near flammable materials.
  - d) Do not use power tool in confined spaces or near flammable materials.
  - e) Do not use power tool in confined spaces or near flammable materials.

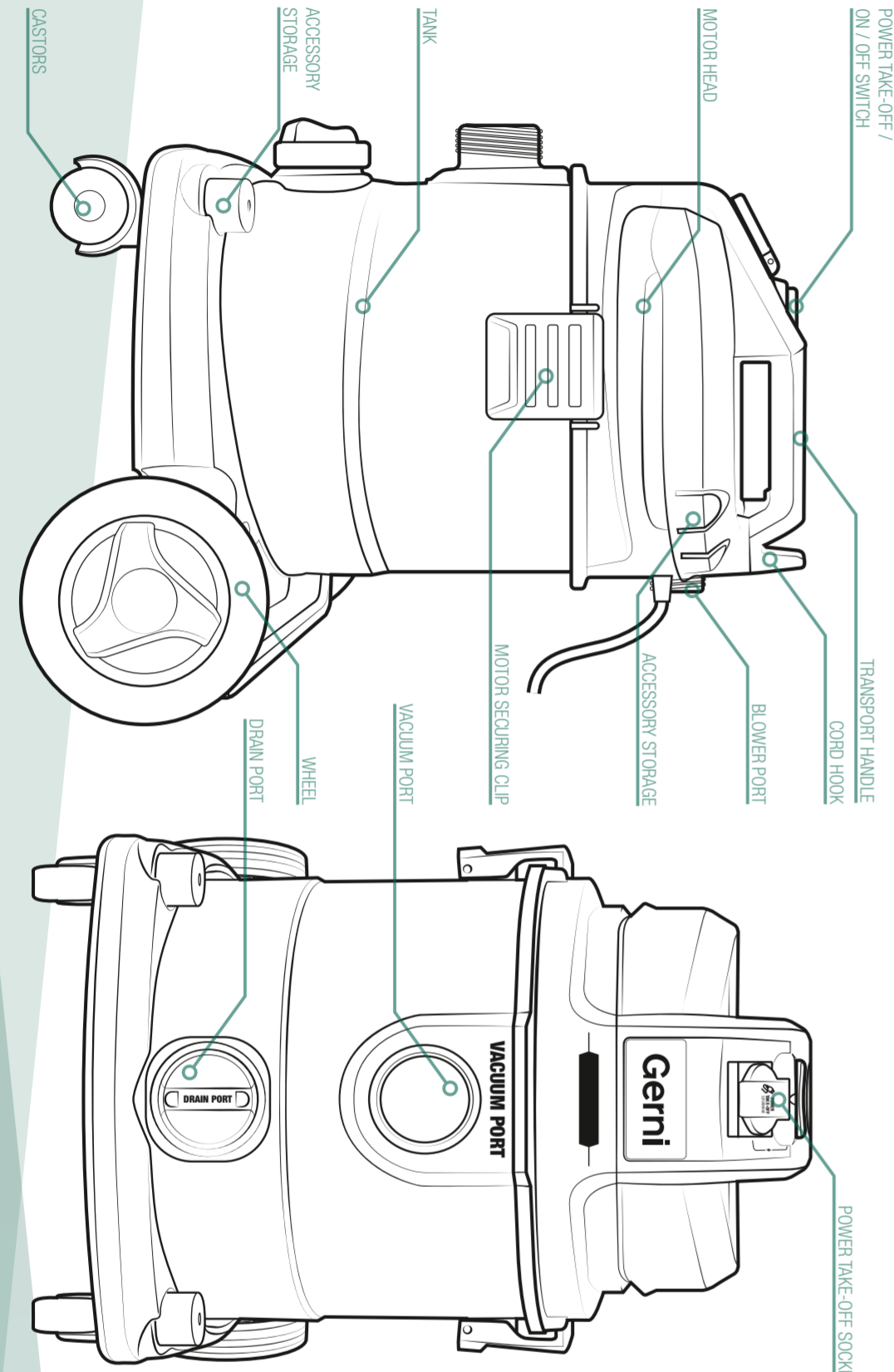
## WET & DRY VACUUM SAFETY

- 1) Work area safety
  - a) Keep work area clean and well lit. Cluttered or dark areas invite accidents.
  - b) Do not use power tool in explosive atmospheres (e.g. near petrol tanks, petrol engines, etc.).
  - c) Do not use power tool in flammable liquids, gases or dust.
  - d) Do not use power tool in damp locations (e.g. bathrooms, etc.).
- 2) Electrical safety
  - a) Power tool plugs must match the outlet. Never modify the plug in any way. Do not use any adaptor plugs with earthed (grounded) power tools. Unmodified plugs and matching outlets will reduce the risk of electric shock.
  - b) Avoid body contact with earthed or grounded surfaces, such as pipes, radiators, ranges and refrigerators. There is an increased risk of electric shock.
  - c) Do not touch power tool parts that will become energized when the plug is inserted into the outlet.
  - d) Do not use power tool with damaged power cord. Do not use power tool with damaged power cord.
- 3) Personal safety
  - a) Stay alert, watch what you are doing and use common sense when operating a power tool. Do not use a power tool while you are tired or under the influence of drugs, alcohol or medication.
  - b) Do not use power tool in hazardous locations (e.g. near overhead power lines, etc.).
  - c) Do not use power tool in confined spaces or near flammable materials.
  - d) Do not use power tool in confined spaces or near flammable materials.
  - e) Do not use power tool in confined spaces or near flammable materials.

## GENERAL POWER TOOL SAFETY

- 1) Work area safety
  - a) Keep work area clean and well lit. Cluttered or dark areas invite accidents.
  - b) Do not use power tool in explosive atmospheres (e.g. near petrol tanks, petrol engines, etc.).
  - c) Do not use power tool in flammable liquids, gases or dust.
  - d) Do not use power tool in damp locations (e.g. bathrooms, etc.).
- 2) Electrical safety
  - a) Power tool plugs must match the outlet. Never modify the plug in any way. Do not use any adaptor plugs with earthed (grounded) power tools. Unmodified plugs and matching outlets will reduce the risk of electric shock.
  - b) Avoid body contact with earthed or grounded surfaces, such as pipes, radiators, ranges and refrigerators. There is an increased risk of electric shock.
  - c) Do not touch power tool parts that will become energized when the plug is inserted into the outlet.
  - d) Do not use power tool with damaged power cord. Do not use power tool with damaged power cord.
- 3) Personal safety
  - a) Stay alert, watch what you are doing and use common sense when operating a power tool. Do not use a power tool while you are tired or under the influence of drugs, alcohol or medication.
  - b) Do not use power tool in hazardous locations (e.g. near overhead power lines, etc.).
  - c) Do not use power tool in confined spaces or near flammable materials.
  - d) Do not use power tool in confined spaces or near flammable materials.
  - e) Do not use power tool in confined spaces or near flammable materials.

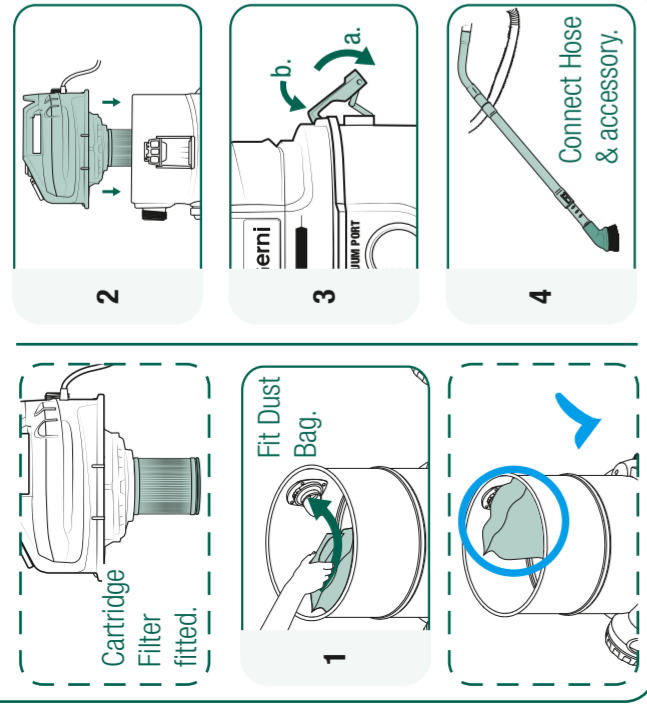
## SAFETY



**DUST BAG - DRY ONLY**

**WARNING!** Ensure the tool is turned off and disconnected from the power supply before performing any of the following operations.

**IMPORTANT!** For vacuuming fine, dry dirt it is recommended that you fit supplied dust bag. This will ensure that the cartridge filter does not clog up so quickly and help maintain the vacuuming power. A dust bag is suitable for **dry vacuuming only**. Using the dust bag makes it easier to dispose of the dust that has been collected.



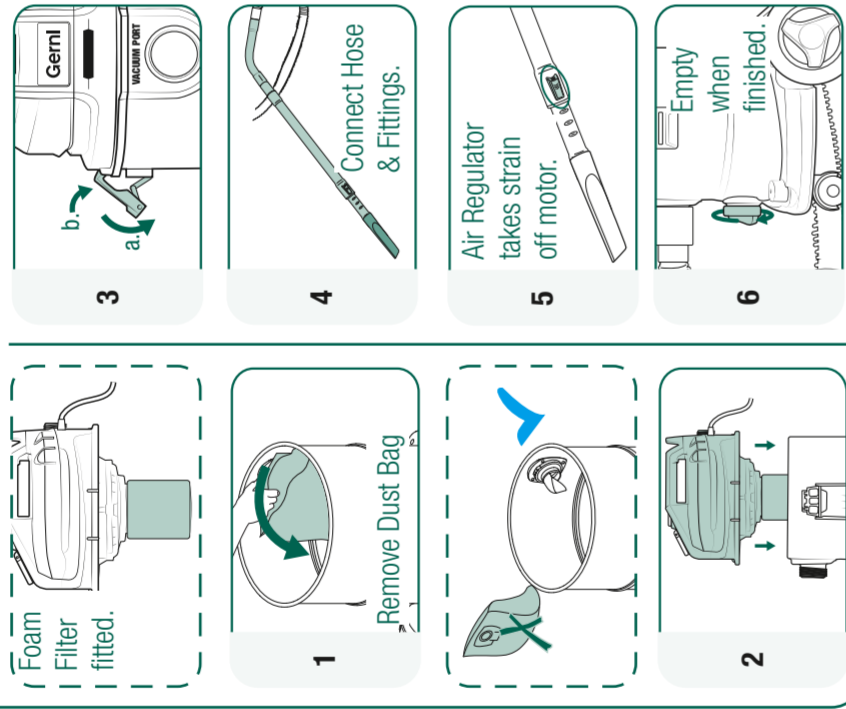
**WET VACUUMING**

**WARNING!** Ensure the tool is turned off and disconnected from the power supply before performing any of the following operations.

**WARNING!** The Wet & Dry Vacuum Cleaner is not suitable for vacuuming of combustible liquids.

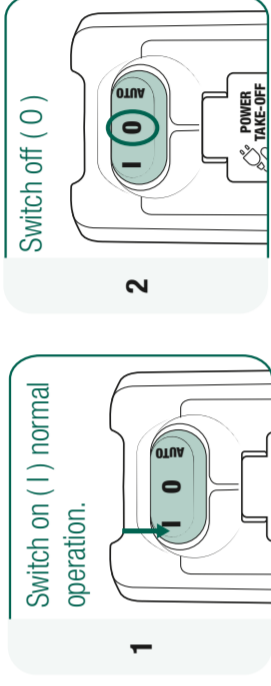
**WARNING!** Switch off the equipment if liquid or foam is emitted with the exhaust air when wet vacuuming.

**WARNING!** When wet vacuuming, the floating safety switch closes when the maximum tank level is reached. The suction noise will change and become louder when this occurs. You must switch off the vacuum and empty the tank before continuing.



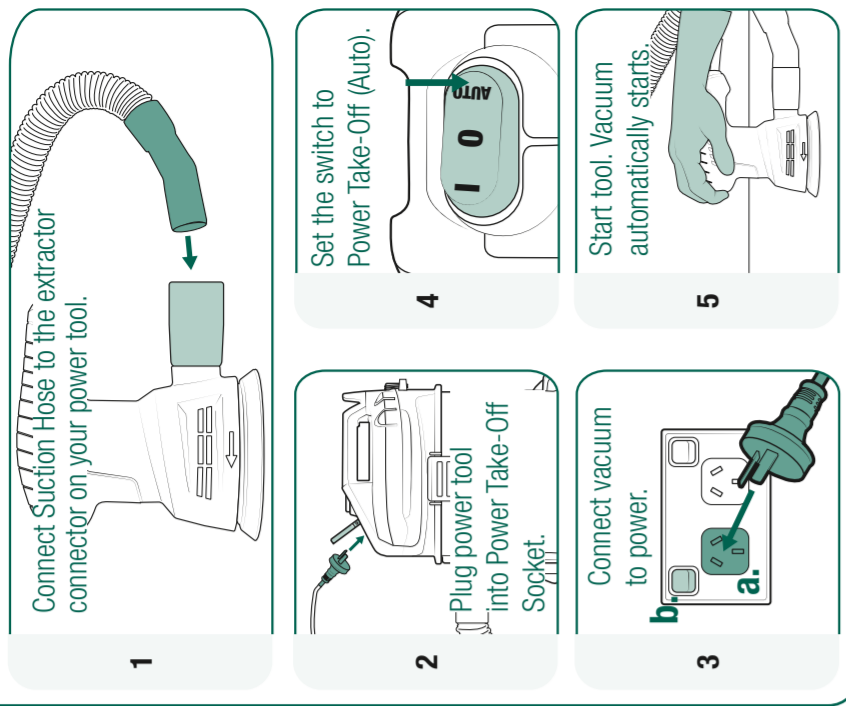
**ON / OFF SWITCH**

**WARNING!** To reduce the risk of electrical shock, a residual current device (rated 30mA or less) must be used.



**POWER TAKE OFF MODE**

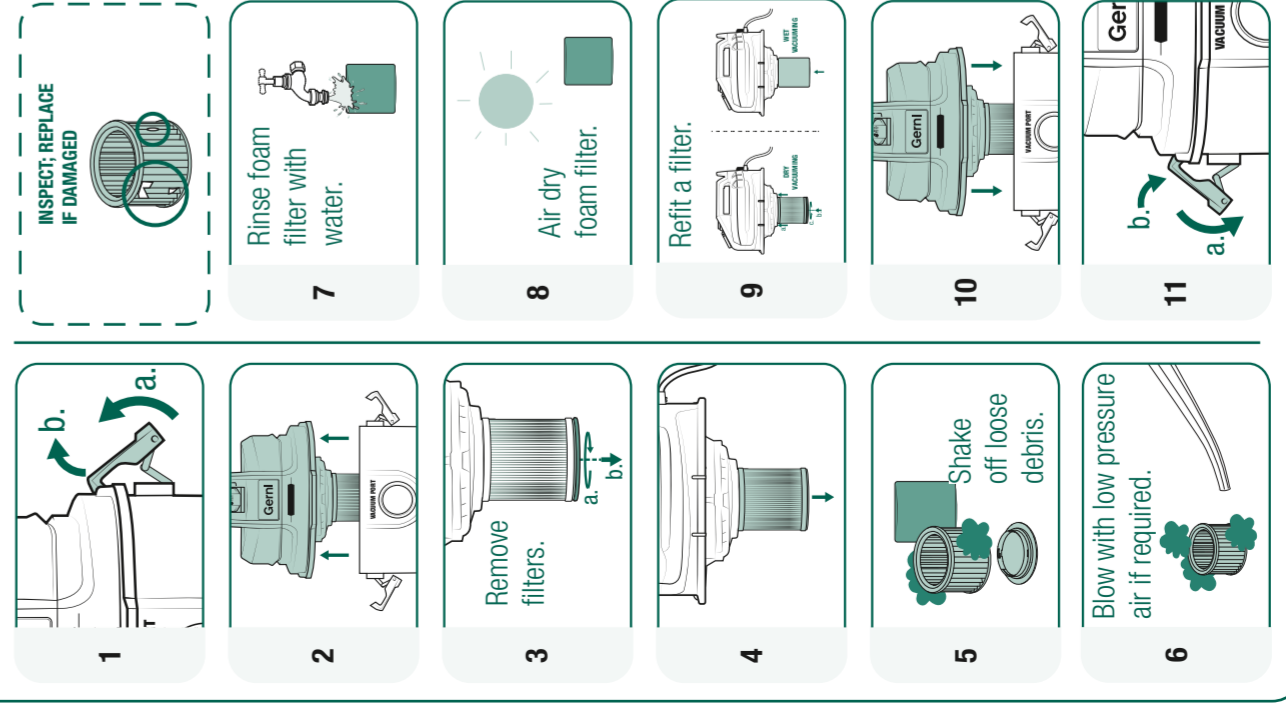
**WARNING!** To reduce the risk of electrical shock, a residual current device (rated 30mA or less) must be used.



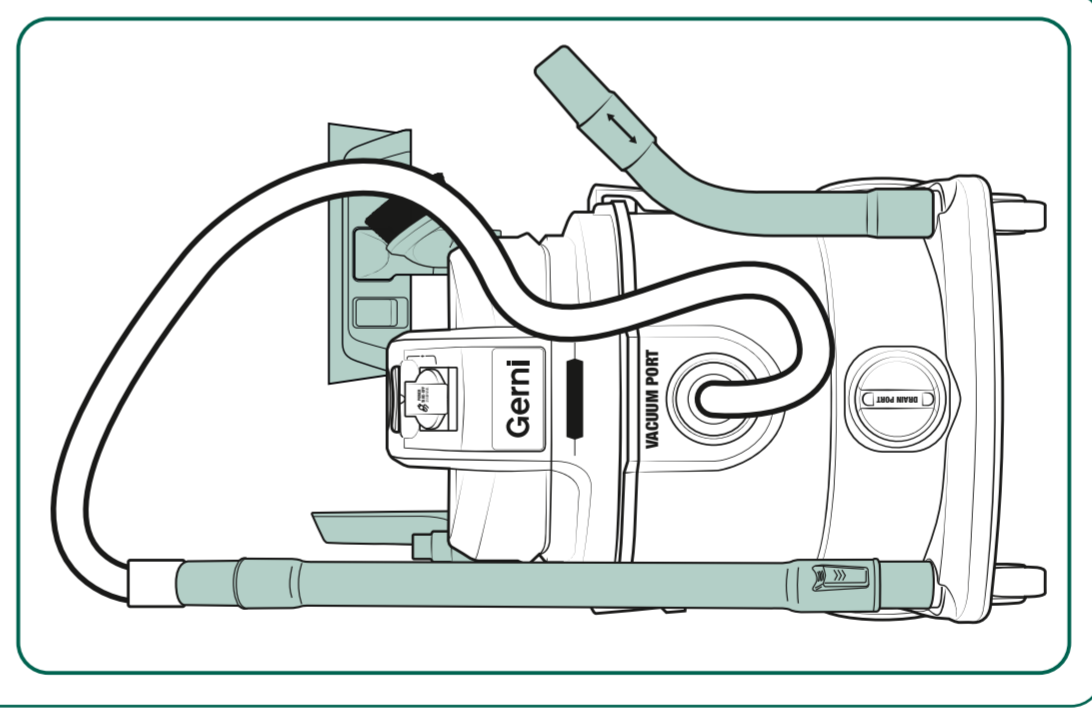
**MAINTENANCE**

**FILTER CARE & CLEANING**

**WARNING!** Ensure the tool is turned off and disconnected from the power supply before performing any of the following operations. Tools connected to the power take-off socket should also be unplugged.



**STORAGE**



**DEFINITIONS**

- Read instruction manual
- Regulatory compliance mark
- Warning!
- Volts
- Hertz
- Alternating Current
- Watts
- Litres
- Litres per second
- mbar
- Pressure rating (millibar)
- Decibel rating
- IP24
- Ingress protection rating

**DISPOSAL ADVICE**

**POWER TOOL**  
Power tools that are no longer usable should not be disposed of with household waste but in an environmentally friendly way. Please recycle where facilities exist. Check with your local council authority for recycling advice.

**PACKAGING**  
Recycling packaging reduces the need for landfill and raw materials. Reuse of recycled material decreases pollution in the environment. Please recycle packaging where facilities exist. Check with your local council authority for recycling advice.

**NEED HELP?**



www.gerni.com.au  
customerservice@gerni.com.au  
AUS 1 300 162 689  
NZ 0800 700 124